



# **Quadro3 Euro4**

## **Spare Part Catalogue**

**issue date: 15/11/2017**

**Vehicle Type: 633 00**



**Vehicle Color:**                      **Color code:**

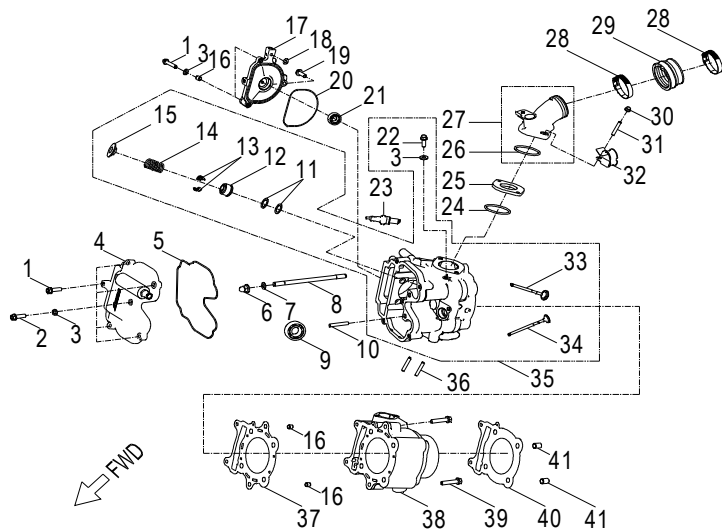
**RAW BLACK**                              **(-)131**

**SNOW WHITE**                            **(-)243**

**TITANIUM GRAY**                        **(-)850**



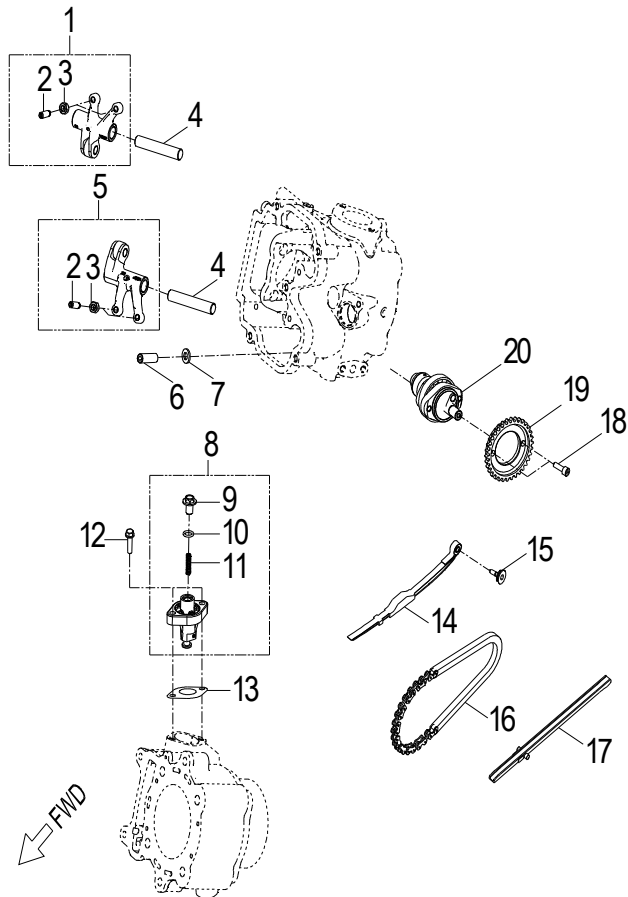
## D-1:CYLINDER HEAD



ITEM	DESCRIPTION	P/N	Q"TY	Note
1	Bolt	QS00006025808C	7	M6*P1.0*25L
2	Bolt	QS00006030808C	1	M6*P1.0*30L
3	Washer	QS101061201000U	3	φ6.5*φ12*t1
4	Asm., Head Cover	QS1231069T0	1	
5	Gasket , Head Cover	QS39169S000	1	
6	Nut	QS0220600000C	2	
7	Washer	QS1010613020U00	2	
8	Stud	QS00106115800C	2	
9	Bearing, Ball	QS1006002000000	1	
10	Pin, Dowell	QS47569S000	2	
11	Seat, Valve, Spring, Outer	QS77569S000	8	
12	Seal, Valve	QS20962B000	4	
13	Clip, Retainer	QS78169S000	8	
14	Spring, Valve, Outer	QS75169S000	4	
15	Retainer, Valve, Spring	QS77169S000	4	
16	Pin, Dowel	QS30108080	4	
17	Cover, Head , RH	QS33169S000	1	
18	O-Ring	QS21600725	1	
19	Bolt	QS00006020808C	1	M6*P1.0*20L
20	Gasket, Cam Cover	QS33269S000	1	
21	Bearing, Ball	QS10060000Z00C3	1	
22	Bolt	QS00006012808C	1	M6*P1.0*12L
23	Plug, Spark	QS9807650N000	1	
24	O-Ring	QS21004320	1	
25	Insulator, Cylinder head	QS11269S000	1	
26	O-Ring	QS21004330	1	
27	Asm., Manifold, Intake	QS1710069N000	1	
28	Strap	QS52004064	2	
29	Adapter, Carburetor	QS14636I000	1	
30	Nut	QS0500600000C	2	M6*P1.0
31	Stud	QS00106040800C	2	M6*P1.0*40L
32	Bracket, Brake Switch	QS465202000	1	
33	Valve, Intake	QS71169S000	2	
34	Valve, Exhaust	QS72169S000	2	
35	Cylinder Head Comp	QS1220769E0	1	
36	Stud	QS001080468C	2	
37	Gasket Set	QS1225069S001	1	
38	Cylinder	QS10069S000	1	
39	Bolt	QS00006030808C	2	M6*P1.0*30L
40	Gasket, Cylinder	QS19169S000	1	



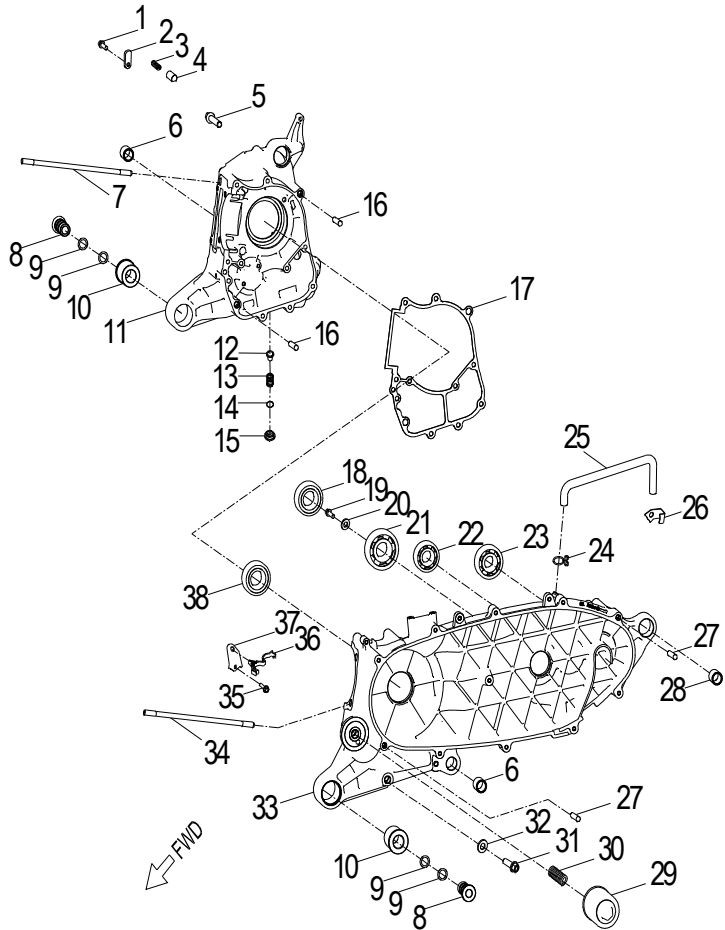
## D-2: VALVE CAM



ITEM	DESCRIPTION	P/N	Q"TY	Note
1	Arm Comp, Valve Rocker Intake	QS43069F000	1	
2	Nut, Tappet Adjusting	QS433140000	4	
3	Screw, Tappet Adjusting	QS432140000	4	
4	Shaft, Valve Rocker Arm	QS45169S000	2	
5	Arm Comp, Valve Rocker Exhaust	QS44069F000	1	
6	Nut, Head	QS21869S001	4	
7	Washer	QS108081603000B	4	
8	Tensioner	QS52150N000	1	
9	Adjust Plug	QS55250N000	1	
10	O-Ring	QS21000919	1	9*1.9
11	Tensioner Lifter Spring	QS55350N000	1	
12	Bolt	QS00006022814C	2	M6*P1.0*22L
13	Gasket, Tensioner	QS523119002	1	
14	Guide, Cam Chain, RH	QS55050A000	1	
15	Pivot, Guide	QS53550A000	1	
16	Chain, Cam	QS40169S000	1	
17	Guide, Cam Chain, LH	QS50050N000	1	
18	Bolt	QS0000601280CL	2	
19	Sprocket, Camshaft	QS10869S000	1	
20	Asm., Cam Shaft	QS1440069N0	1	



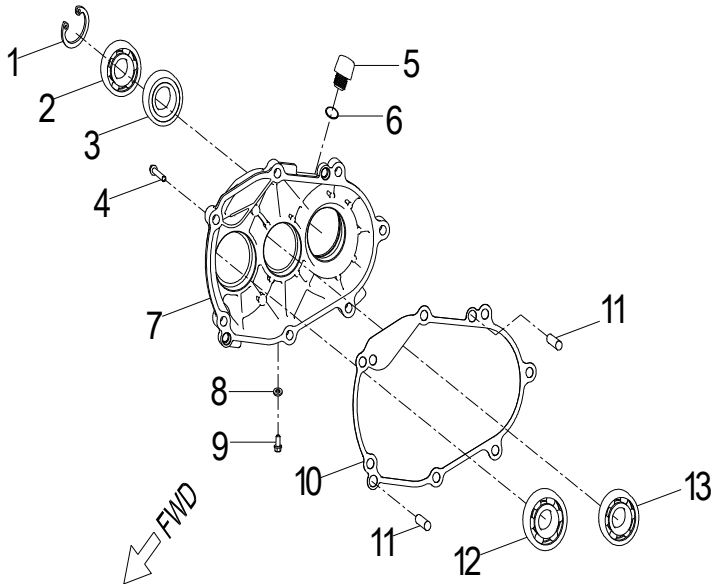
## D-4:CRANKCASE



ITEM	DESCRIPTION	P/N	Q"TY	Note
1	Bolt	QS00006016808C	1	M6*P1.0*16L
2	Barrier, Crankshaft	QS00469N000	1	
3	Spring, Barrier	QS10869N000	1	
4	Pin, Barrier	QS00369N000	1	
5	Bolt	QS00006050808C	3	M6*P1.0*50L
6	Bush, Kickstand	QS10962U001	2	
7	Stud	QS00108181800B	2	
8	Collar, Shaft, Swing	QS1123062U0	2	
9	O-Ring	QS21001525	4	15*2.5
10	Bush, Rubber	QS20962U000	2	
11	Crankcase, Rh	QS10162U002	1	
12	Screen	QS421119000	1	
13	Spring, Screen	QS426119000	1	
14	O-Ring	QS21203132	1	
15	Plug, Drain, Oil	QS334119000	1	
16	Pin, Dowel	QS30110140	2	φ10*14L
17	Gasket	QS19162U000	1	
18	Seal, Oil	QS504253807FKM	1	
19	Bolt	QS00006012808C	1	M6*P1.0*12L
20	Washer	QS1080618020000	1	
21	Bearing, Ball	QS1006305000000	1	
22	Bearing, Ball	QS1006204000000	1	
23	Bearing, Ball	QS1006304000000	1	
24	Clip	QS51012012	1	12*1.2
25	Fuel Hose, Discharge	QS1753250N000	1	
26	Bracket, Carburetor Tube	QS35150N001	1	
27	Pin, Dowel	QS30108140	2	8*14
28	Bushing	QS400102828	1	
29	Filter, Oil	QS1550039A0	1	
30	Bolt, Oil Filter	QS10539A000	1	
31	Bolt	QS00312015817C	1	M12*P1.25*15L
32	Washer	QS101122132000L	1	φ12.1*φ21.3*t2
33	Crankcase, Lh	QS20162U000	1	
34	Stud	QS00108188800B	2	
35	Bolt	QS00006012808C	1	M6*P1.0*12L
36	Ground Cable, Battery	QS755207000	1	
37	Bracket, Brake Switch	QS465203000	1	
38	Seal, Oil	QS504304807FKM	1	

### D-5:COVER, TRANSMISSION

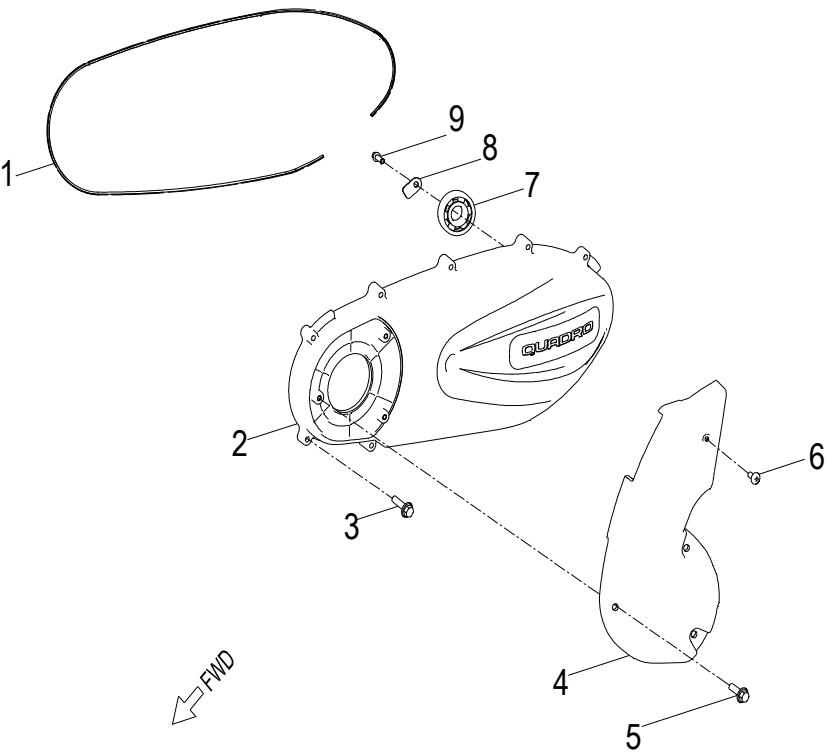
ITEM	DESCRIPTION	P/N	Q"TY	Note
1	Clip, Cir	QS5125200R	1	
2	Bearing, Ball	QS10062050LLU00	1	6205LLU
3	Seal, Oil	QS504354707NBR	1	
4	Bolt	QS00008035800C	7	M8*P1.25*35
5	Plug, Oil	QS650111001	1	
6	O-Ring	QS21201425	1	
7	Cover, Transmission	QS30162U001	1	
8	Washer	QS101122132000L	1	φ12.1*φ21.3*t2
9	Bolt	QS00012015814C	1	M12*P1.25*15L
10	Gasket, Transmission Cover	QS39562U000	1	
11	Pin, Dowel	QS30110140	2	φ10*14L
12	Bearing, Ball	QS1006304000000	1	
13	Bearing, Ball	QS1006204000000	1	







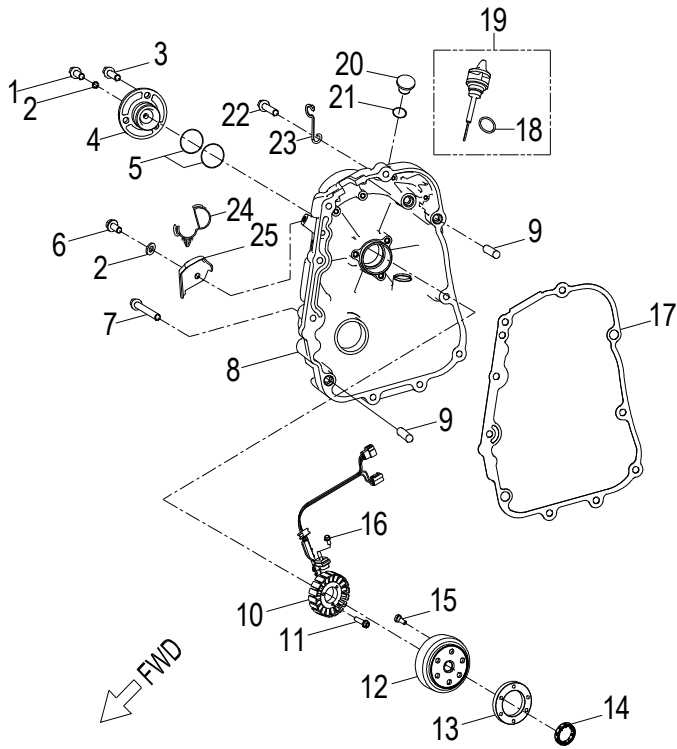
# D-6:CRANKCASE COVER,LH



ITEM	DESCRIPTION	P/N	Q"TY	Note
1	Gasket	QS35962U000	1	
2	Cover, Clutch	QS341211850	1	
3	Bolt	QS00006035808C	11	M6*P1.0*35L
4	Guard, Clutch Cover	QS34262U000	1	
5	Bolt	QS00006022800K	3	M6*P1.0*22L
6	Bolt	QS10005012800K	1	M5*P0.8*12L
7	Bearing, Ball	QS10069040LLU00	1	
8	Stop Plate	QS41262U000	1	
9	Bolt	QS00006010808C	1	M6*P1.0*10L

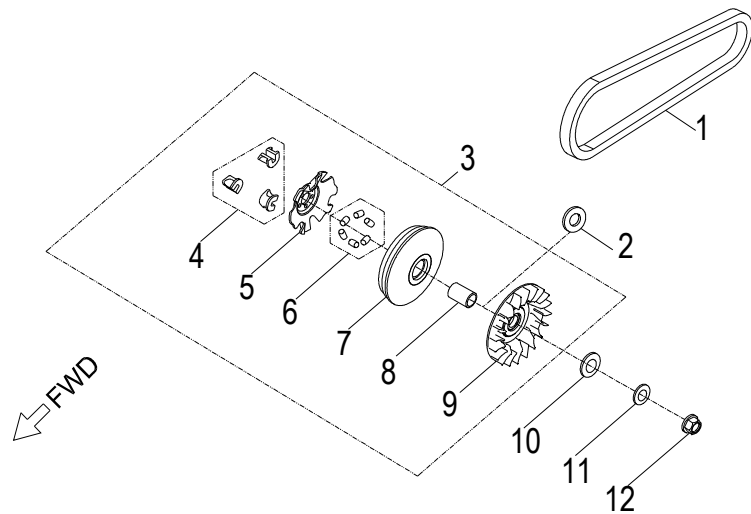


# D-7:CRANKCASE COVER ,RH



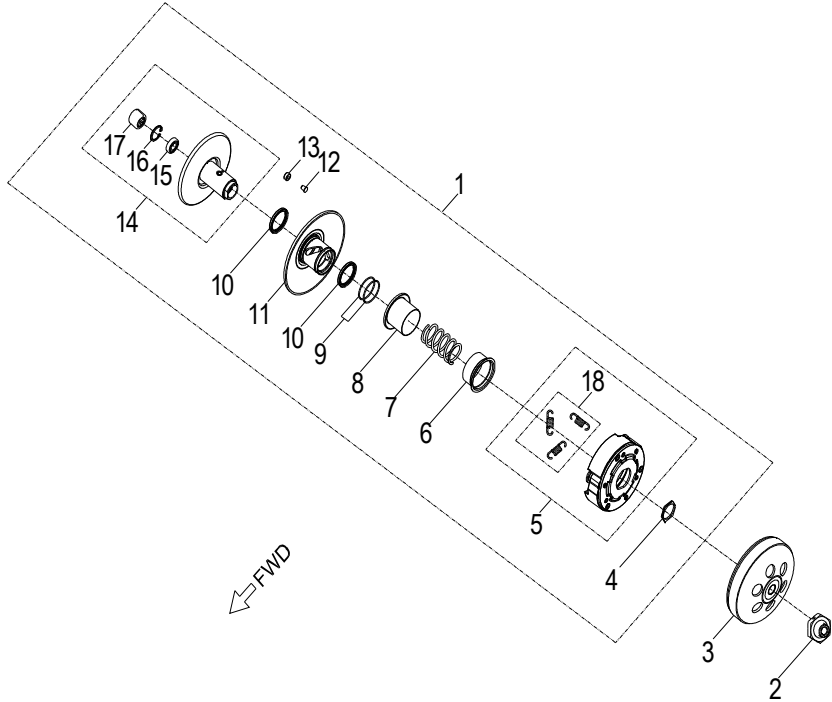
ITEM	DESCRIPTION	P/N	Q"TY	Note
1	Bolt	QS00006008800K	1	M6*P1.0*8L
2	Washer	QS101061201000U	2	φ6.5*φ12*t1
3	Bolt	QS00006016808C	3	M6*P1.0*16L
4	Cap, Cover, RH	QS33239A000	1	
5	O-Ring	QS21202720	2	
6	Bolt	QS00006010810K	1	M6*P1.0*10L
7	Bolt	QS00006135908G	8	
8	Crankcase Cover, Rh	QS33562U850	1	
9	Pin, Dowel	QS30110140	2	φ10*14L
10	Stator	QS12069NEFI	1	
11	Screw	QS30005035800C	3	
12	Flywheel	QS11069NEFI	1	
13	Outer, One Way	QS2812169N0	1	
14	Asm., Rollor, One Way	QS13069N000	1	
15	Bolt	QS00008018800C	6	
16	Bolt	QS00005012800C	2	M5*P0.8*12L
17	Gasket, Crankcase, RH	QS39362U000	1	
18	O-Ring	QS21201835	1	18*3.5
19	Gauge, Oil Lever	QS65035A000	1	
20	Cap	QS014095000000	1	M14
21	O-Ring	QS21201425	1	
22	Bolt	QS00006035808C	2	M6*P1.0*35L
23	Cable Fastner	QS33862E000	1	
24	Ground Cable, Battery	QS755212000	1	
25	Bracket, Brake Switch	QS465203000	1	

## D-8:DRIVE CLUTCH



ITEM	DESCRIPTION	P/N	Q"TY	Note
1	Belt, Driven	QS10069N001	1	
2	Washer	QS1011733015000	1	φ17.2*φ33*t1.5
3	Asm., Sliding	QS2210369N2	1	
4	Bushing, Slider	QS13369N000	1	
5	Plate, Sheave	QS13169N000	1	
6	Roller	QS12069N001	1	
7	Wheel, Slot, Sliding, Primary	QS11062E002	1	
8	Bushing, Sheave	QS106203000	1	
9	Sheave, moveable	QS10269N001	1	
10	Washer	QS94108142802000K	1	
11	Washer	QS1211426016000	1	φ14*φ26*t1.6
12	Nut	QS0501402100C	1	

## D-9:DRIVEN CLUTCH

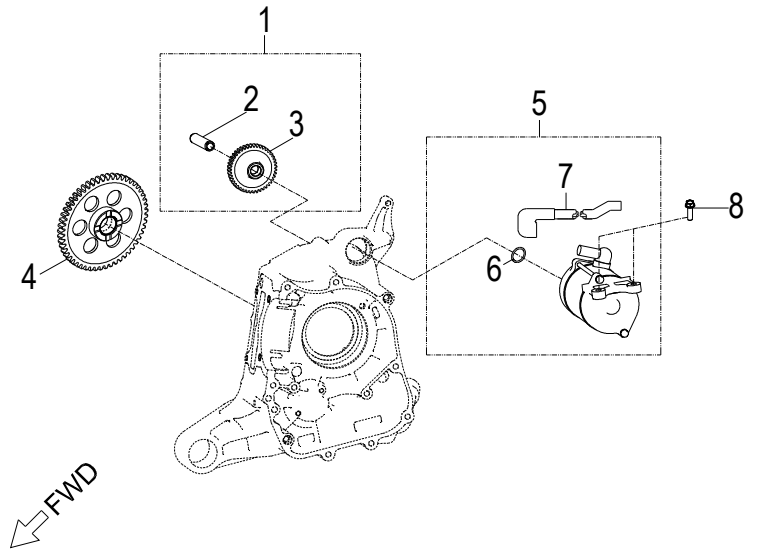


ITEM	DESCRIPTION	P/N	Q"TY	Note
1	Asm., Driven Clutch	QS00069T001	1	
2	Nut, Driven	QS10562U000	1	
3	Clutch, Outer	QS10062N001	1	
4	Nut	QS1110001C000	1	M28
5	Asm., Clutch Shoes	QS00169T000	1	
6	Seal, Collor	QS2323962E0	1	
7	Spring, Clutch	QS23369N000	1	
8	Seal, Collor	QS23762E000	1	
9	O-Ring	QS21404720	2	
10	Seal, Oil	QS500404704FKM	2	
11	Sheave, Moveable	QS22062E005	1	
12	Pin, Guide	QS22562E000	3	
13	Roller, Guide	QS2322662E0	3	
14	Sheave, Driven	QS20062E002	1	
15	Bearing, Ball	QS10069020U0	1	
16	Clip, Cir	QS5122800R	1	
17	Bearing, Needle	QS96200222918	1	
18	Spring, Clutch shoes	QS2240050N000	1	

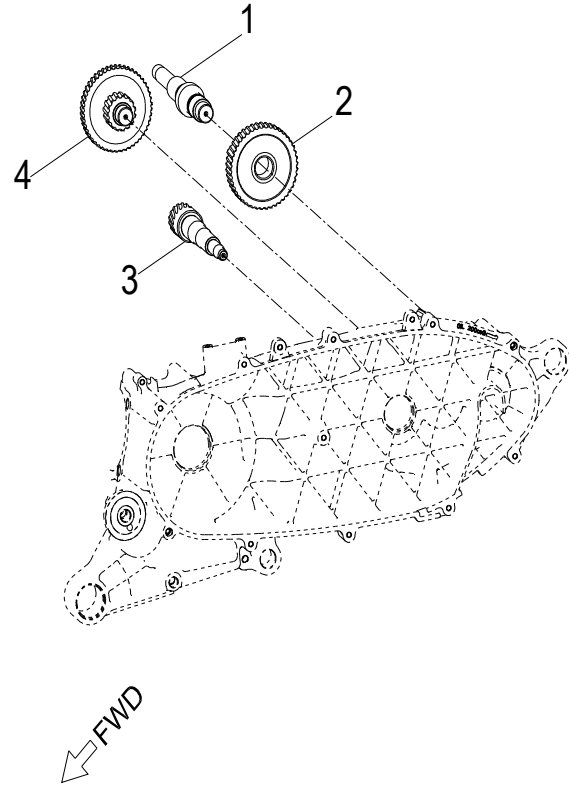


# D-11:STARTING MOTOR

ITEM	DESCRIPTION	P/N	Q"TY	Note
1	Asm., Gear Starter	QS42250A000	1	Incl. 1~2
2	Shaft, Starter Motor	QS42450A000	1	
3	Gear, Starter	QS42350A000	1	
4	Gear, Starter	QS22069N000	1	
5	Motor, Starter	QS20069N000	1	
6	O-Ring	QS21002431	1	24.4*3.1
7	Cord	QS3120262N000	1	
8	Bolt	QS00006020808C	2	M6*P1.0*20L

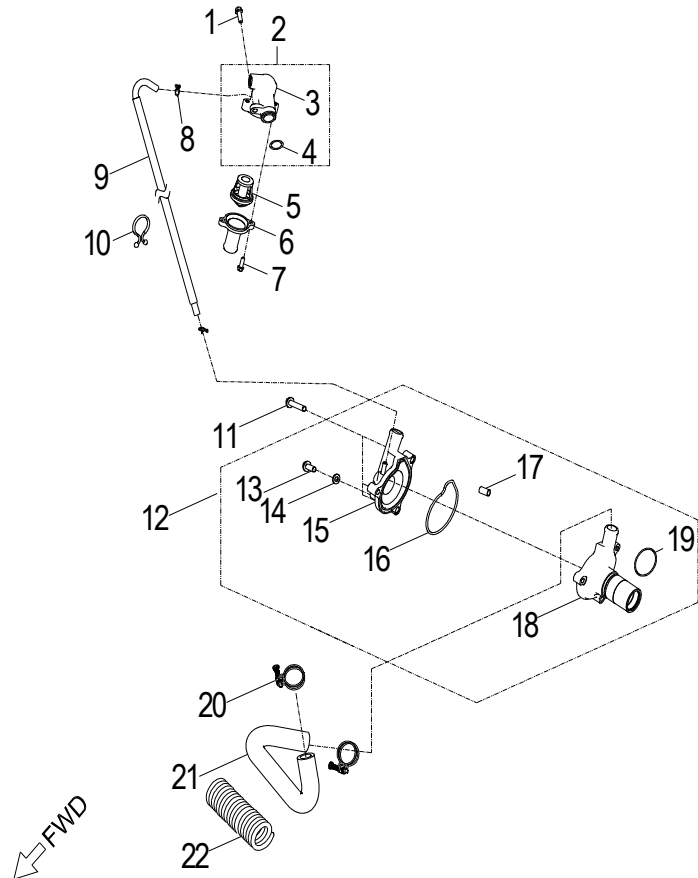


# D-12: TRANSMISSION



ITEM	DESCRIPTION	P/N	Q"TY	Note
1	Pinion, Output	QS43162U002	1	
2	Gear, Output	QS43262U001	1	
3	Shaft, Drive	QS41162U000	1	
4	Asm., Shaft, Counter	QS42062U000	1	

## D-13: WATER PUMP

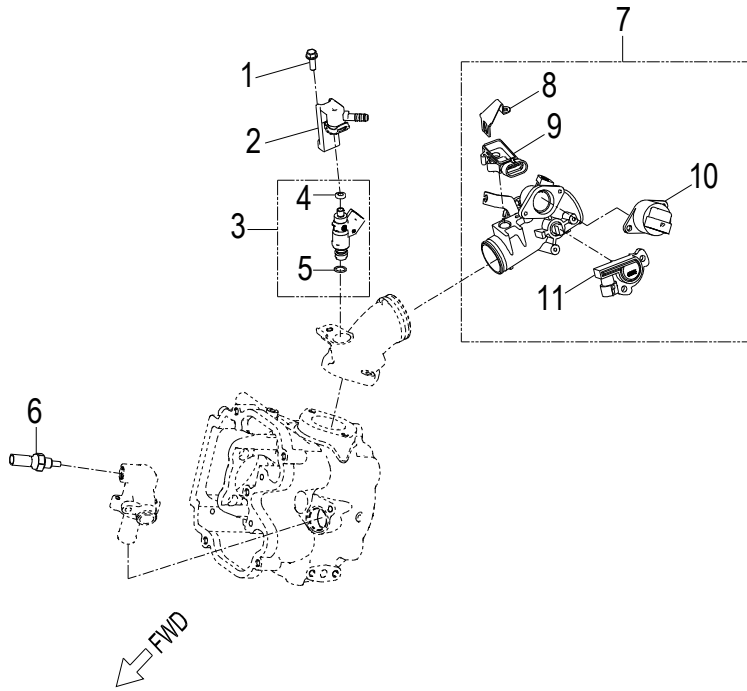


ITEM	DESCRIPTION	P/N	Q"TY	Note
1	Bolt	QS00006018808C	1	M6*P1.0*18L
2	Sensor, Thermosatic	QS31069N000	1	
3	Housing, Thermosatic	QS31169N000	1	
4	O-Ring	QS21201719	1	
5	Bimetal, Thermosatic	QS30062U001	1	
6	Flange, Thermosatic	QS31550N000	1	
7	Bolt	QS00005016800C	2	M5*P0.8*16L
8	Clamp	QS9451507A06	2	
9	Hose, Bypass, Thermosatic	QS50550T000	1	
10	Cable	QS755204000	1	
11	Bolt	QS00006040808C	3	M6*P1.0*40L
12	Asm., Water Pump	QS1921062U0	1	
13	Bolt	QS00006012808C	1	M6*P1.0*12L
14	Washer	QS101061201000U	1	φ6.5*φ12*t1
15	Flange, Water Pump	QS22162U000	1	
16	Gasket	QS22950A000	1	
17	Pin, Dowel	QS30108140	2	8*14
18	Body, Water Pump	QS21150A000	1	
19	O-Ring	QS21002920	1	29*2.0
20	Clamp	QS22250A000	2	
21	Hose	QS1950262U0	1	
22	Spring, Coolant Hose	QS50762U000	1	





## D-14: ELECTRIC FUEL INJECTION

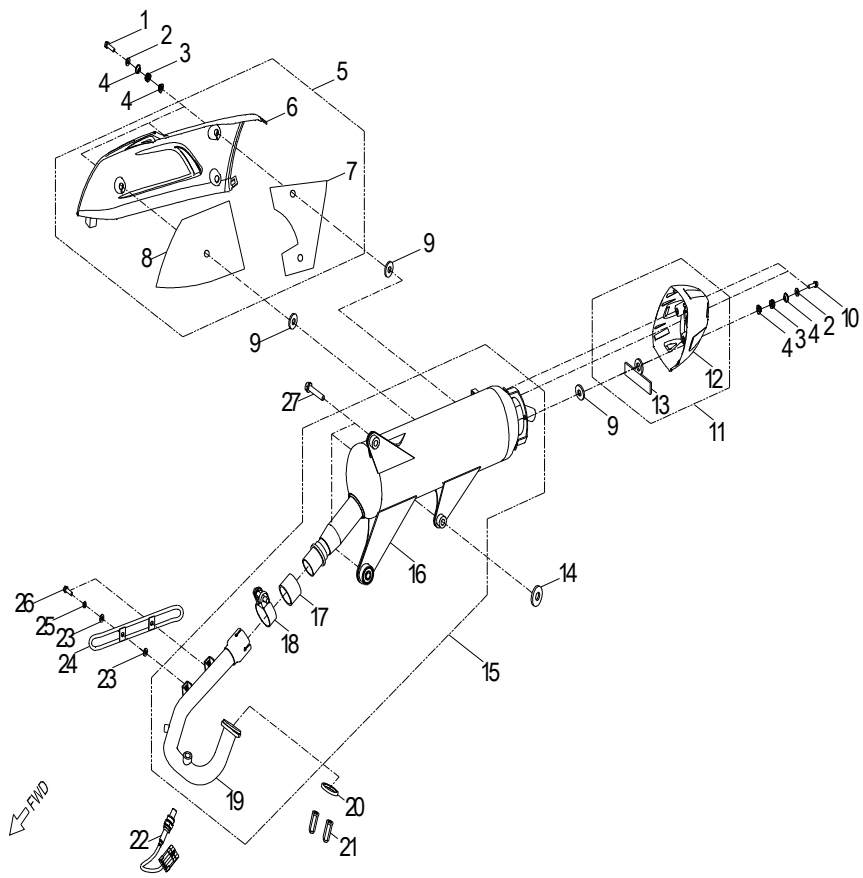


ITEM	DESCRIPTION	P/N	Q"TY	Note
1	Bolt	QS00006016808C	1	M6*P1.0*16L
2	Adaptor, Fuel Injector	QS21736I000	1	
3	Fuel Injector	QS21069N000	1	
4	O-Ring	QS21400642	1	
5	O-Ring	QS21400924	1	
6	Sensor, Water Temperature	QS93069I000	1	
7	Asm., Throttle Body	QS20050S000	1	
8	Mount, T-Map	QS23222R000	1	
9	Sensor, T-Map	QS23122R000	1	
10	Valve, Idle Air Controller, IAC	QS24050S000	1	
11	Sensor, TPS	QS91622R000	1	





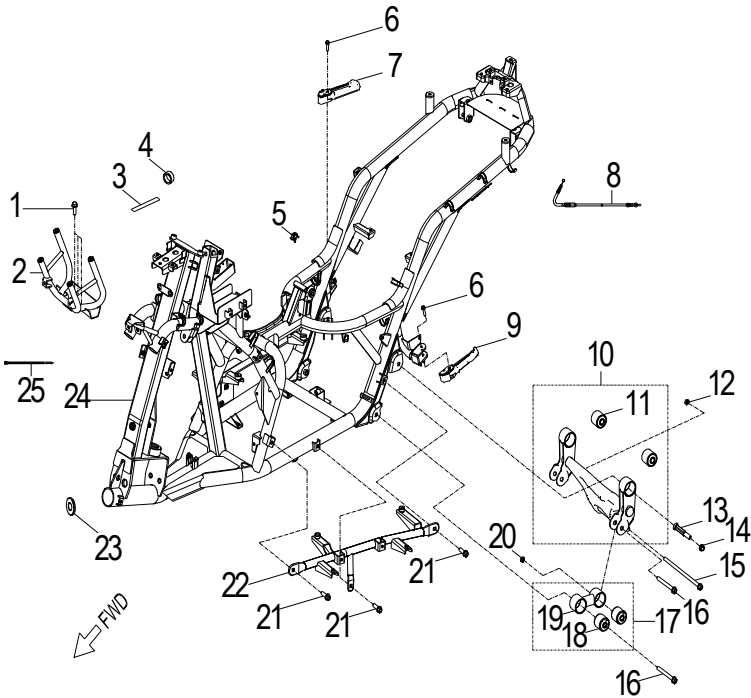
# D-16:EXHAUST PIPE



ITEM	DESCRIPTION	P/N	Q"TY	Note
1	Bolt	QS500060228SUL	3	
2	Washer	QS1060617002000	6	
3	Grommet	QS16129208000	6	
4	Washer	QS071900500B	12	
5	Asm., Shield, front Pipe, Exhaust	QS18290011850	1	
6	Shield, front Pipe, Exhaust	QS1830851T85	1	
7	Insulator, Silencer	QS20207000	1	
8	Insulator, Silencer	QS320206000	1	
9	Gasket	QS1020625300	6	
10	Bolt	QS500060258SUL	3	
11	Asm., Shield, Silencer	QS18290012131	1	
12	Shield, Silencer	QS31151T131	1	
13	Insulator, Silencer	QS183202040	3	
14	Washer	QS108102802500K	3	
15	Asm., Exhaust Pipe	QS18300284002	1	
16	Silencer	QS298244002	1	
17	Collar	QS321201000	1	
18	Clamp, Exhaust Pipe	QS18322203	1	
19	Pipe, Exhaust, Front	QS182992400	1	
20	Gasket	QS291S38000	1	
21	Nut	QS3010800000C	2	M8*P1.25
22	Sensor, O2	QS1833022R001	1	
23	Gasket	QS1020617030000	4	
24	Shield, Exhaust	QS18315S38	1	
25	Washer, Spring	QS1110711015SUS	2	
26	Bolt	QS00060168SUL	2	
27	Bolt	QS00010050800K	3	M10*P1.25*50L



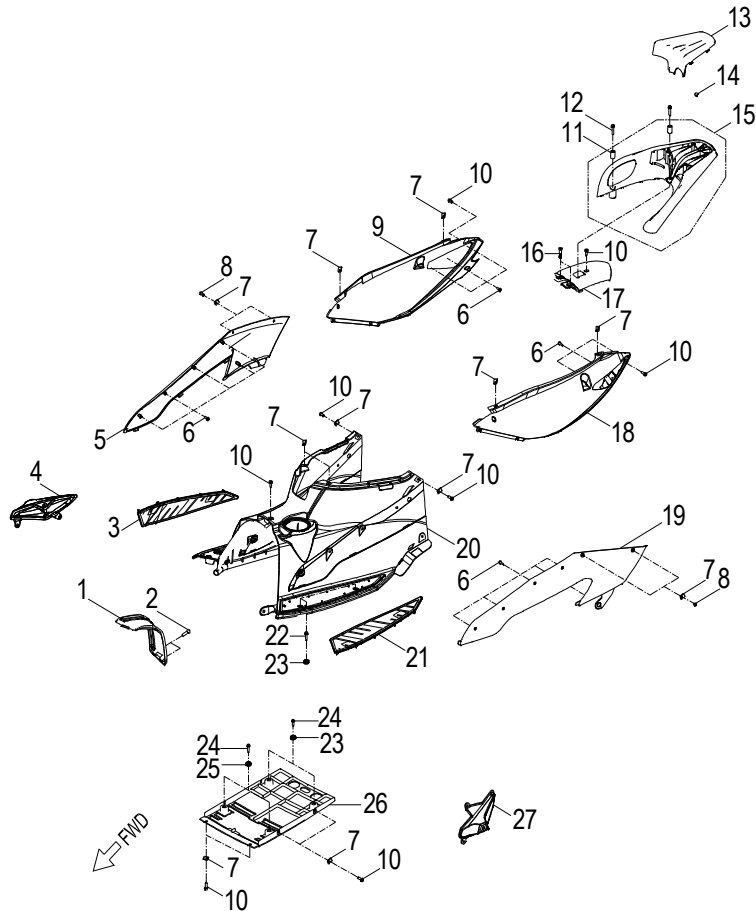
# D-17:FRAME BODY



ITEM	DESCRIPTION	P/N	Q"TY	Note
1	Bolt	QS0000601480KL	3	M6*P1.0*14L
2	Bracked, Screen	QS324S38000	1	
3	Trim, Rubber	QS811203000	3	
4	Rubber Tube	QS813201000	1	
5	Ground Cable, Battery	QS755202000	1	
6	Bolt	QS00006035800K	2	
7	Footpeg, RH	QS56062U000	1	
8	Cable, Seat Lock	QS23262U000	1	
9	Footpeg, LH	QS55062U000	1	
10	Mount, Engine, Rear	QS350203000	1	
11	Bushing	QS401104540	2	
12	Nut	QS3551200017C	1	
13	Screw	QS02210060800K	2	
14	Nut	QS3551000017K	2	
15	Bolt	QS00012236814C	1	
16	Bolt	QS0001004880KL	4	M10*P1.25*48L
17	Linkage, Engine Mount	QS38062U000	2	
18	Bushing	QS410103530336	4	
19	Linkage	QS38162U000	2	
20	Nut	QS0501000000C	2	M10*P1.25
21	Bolt	QS00008014800K	3	M8*P1.25*14
22	Bracket, Floorboard, LH	QS31662U000	1	
23	Cap, Dustproof	QS424208000	1	
24	Asm., Frame	QS50100417067	1	
25	Strap	QS569131000	2	



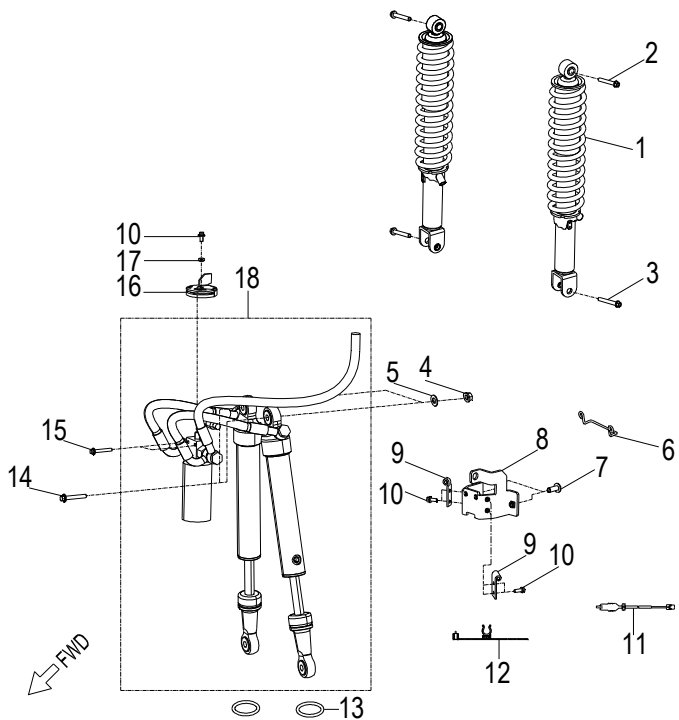
# D-18:SIDE COVER



ITEM	DESCRIPTION	P/N	Q"TY	Note
1	Cover, Battery	QS31504S380	1	
2	Screw	QS903104012800K	2	M4*12L
3	Floorboard, RH	QS31562U070	1	
4	Mount, Signal Light( R)	QS83502S380	1	
5	Veneer, RH	QS50362U862	1	
6	Screw	QS903105012800K	16	M5*12L
7	Nut-U	QS12120300B	18	
8	Bolt	QS00905012800K	4	M5*P0.8*12L W/Washer
9	Panel, Side, RH	RAW BLACK SNOW WHITE TITANIUM GRAY	1	
10	Bolt	QS00905016800K	15	M5*P0.8*16L W/Washer
11	Spacer	QS5202000	3	
12	Bolt	QS00008028800K	3	M8*P1.25*28
13	Cover, Rear handle rack	QS50338S38	1	
14	Cap, Plastic	QS81151S380	4	
15	Sissy Bar	RAW BLACK SNOW WHITE TITANIUM GRAY	1	
16	Bolt	QS220204000	2	
17	Visor, Taillight	RAW BLACK SNOW WHITE TITANIUM GRAY	1	
18	Panel, Side, LH	RAW BLACK SNOW WHITE TITANIUM GRAY	1	
19	Veneer, LH	QS60362U862	1	
20	Floor	QS22062U000	1	
21	Floorboard, LH	QS31662U070	1	
22	Bolt	QS00706016800K	4	M6*P1.0*16L W/Washer
23	Washer	QS150071707500K	6	φ6.5*φ17.5*t7.5
24	Bolt	QS00006016810K	4	M6*P1.0*16L
25	Washer	QS150071705000K	2	φ7.1*φ17*t5
26	Shield, Chassis	QS10662B070	1	
27	Mount, Signal Light(L)	QS602S38000	1	

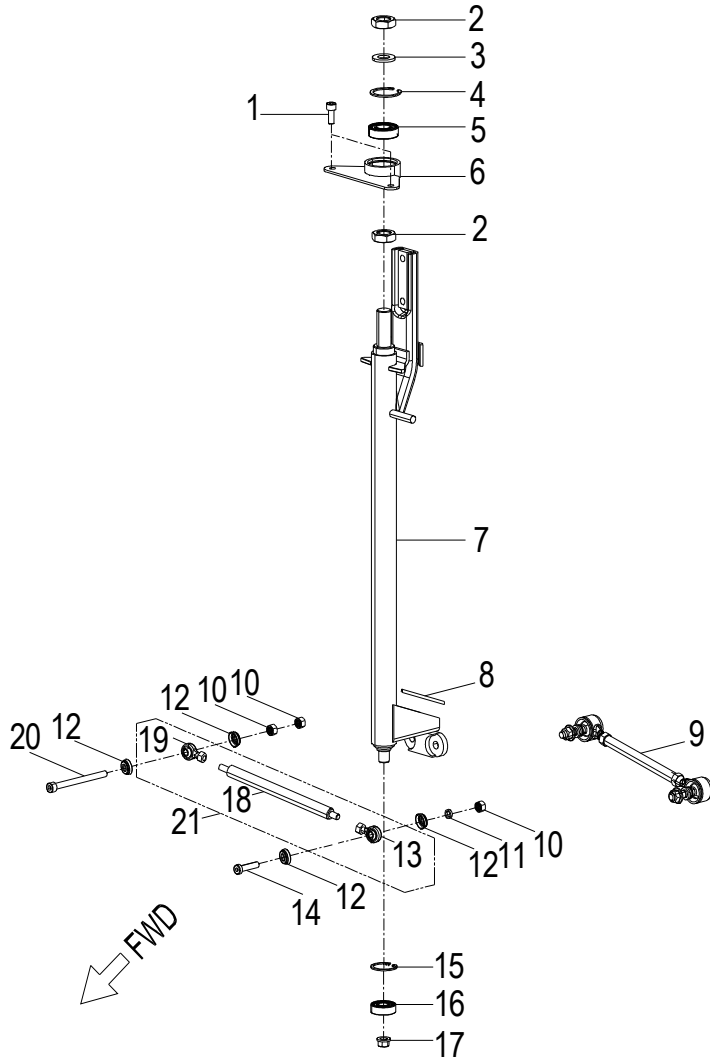
# D-19:SUSPENSION

ITEM	DESCRIPTION	P/N	Q"TY	Note
1	Asm., Suspension, Rear	QS4002513867	2	
2	Bolt	QS0001004080KL	2	M10*P1.25*40L
3	Bolt	QS0001004380KL	2	M10*P1.25*43L
4	Nut	QS3501000000C	2	M10*P1.25
5	Washer	QS101102202000K	2	φ10.1*φ22*t2
6	Hook, Oil Hose, Parking Brake	QS475S38000	1	
7	Bolt	QS00006020810K	2	M6*P1.0*20L
8	Bracket, HTS	QS096S38000	1	
9	Bracket, Pump, Parking Brake	QS099S38000	2	
10	Bolt	QS00005012800K	5	M5*P0.8*12L
11	Switch, HTS lock	QS926201000	1	
12	Strap, Oil Hose	QS753206000	1	
13	O-Ring	QS21003830	2	38*3
14	Bolt	QS0001004080KL	2	M10*P1.25*40L
15	Bolt	QS00005035800K	2	M5*P0.8*35L
16	Command Wheel, Pump, Parking Brake	QS145S38001	1	
17	Washer	QS101051901000K	1	φ5.1*φ19*t1
18	Asm., HTS	QS090S38002	1	





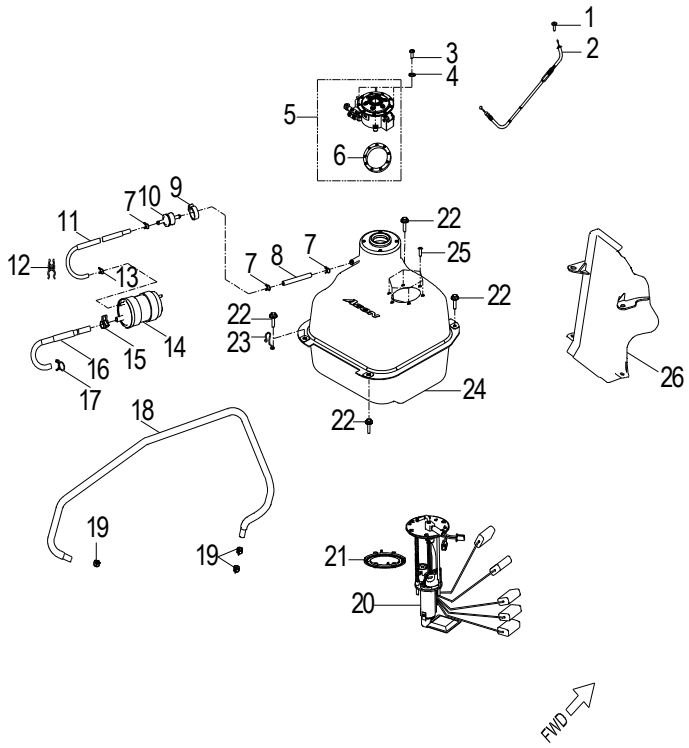
**D-20:STEERING**



ITEM	DESCRIPTION	P/N	Q"TY	Note
1	Bolt	QS0000802080KL	2	M8*P1.25*20
2	Nut	QS0012001030B	2	
3	Washer	QS108202804500B	1	
4	Clip, Cir	QS5124200R	1	
5	Bearing, Ball	QS10060040LLU00	1	6004LLU
6	Flangette	QS111S38000	1	
7	Shaft, Steering	QS107S38001	1	
8	Trim, Rubber	QS50811204000	2	
9	Asm., Tie Rod (steering)	QS410S38000	2	
10	Nut	QS3550800014C	3	
11	Washer	QS101091203000B	2	8.5*12*3.0
12	Dustproof Cap	QS148S38000	8	
13	Rod end (LH)	QS53424S38	2	
14	Bolt	QS00008045800K	2	M8*P1.25*45
15	Clip, Cir	QS5123500R	1	
16	Bearing, Ball	QS10062020LLU00	1	6202LLU
17	Nut	QS0501200000C	1	M12*P1.25
18	Tie Rod	QS411S38000	2	
19	Rod end (RH)	QS53423S38	2	
20	Bolt	QS00008095800K	1	
21	Asm., Tie Rod	QS53411210	1	

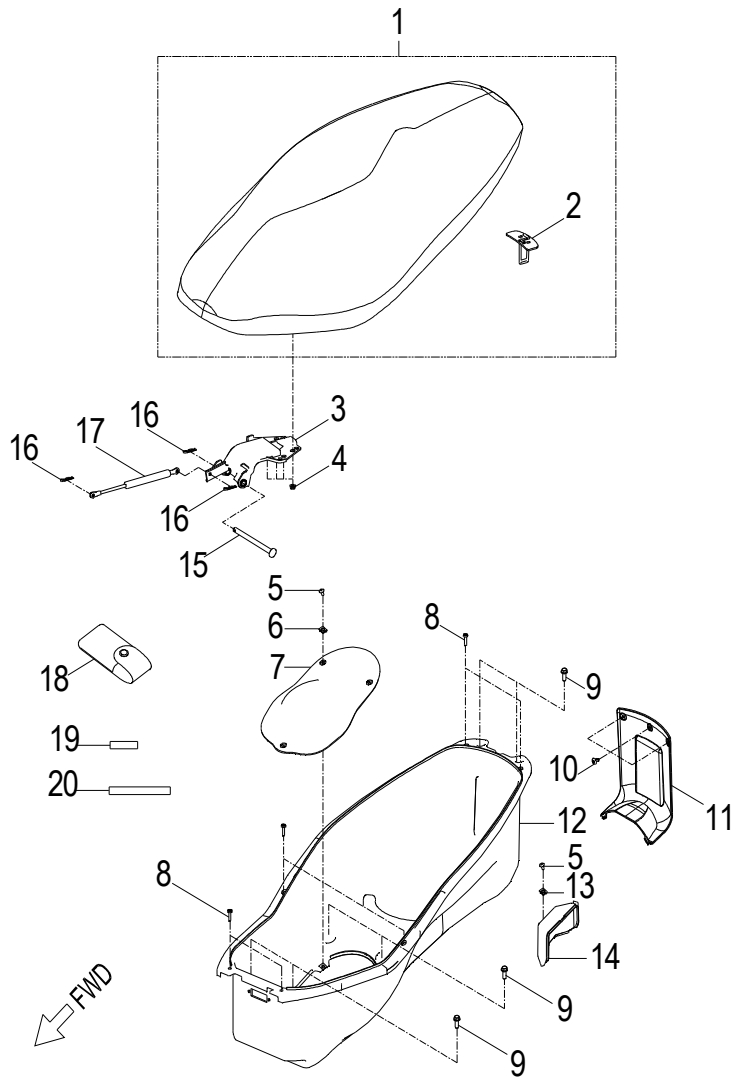
# D-21:FUEL TANK

ITEM	DESCRIPTION	P/N	Q"TY	Note
1	Bolt	QS10005012800K	1	M5*P0.8*12L
2	Cable, Fuel Cap	QS627S38000	1	
3	Bolt	QS50005016800C	4	M5*P0.8*16L
4	Washer	QS101051403000K	4	
5	Cap, Fuel	QS62362U004	1	
6	Plastic Ring, Fuel Tank	QS1762962U000	1	
7	Clamp	QS51008000	3	
8	Fuel hose	QS40105009080	1	
9	Clamp, checkvalve	QS35169S36000	1	
10	Sensor, Anti-Fall	QS16320100000	1	
11	Fuel Hose, Discharge	QS1753269T	1	
12	Strap, Oil Hose	QS89753202	1	
13	Clip	QS51006500	1	
14	Active Carbon Can	QS1751336T000	1	
15	Clamp	QS51512008	1	12*8
16	Fuel Hose, Discharge	QS1753250T000	1	
17	Clip	QS51013016	1	
18	Fuel Hose	QS523209000	1	
19	Clamp	QS52112006	3	
20	Fuel Pump	QS520S38000	1	
21	Foam	QS1750262B0	1	
22	Bolt	QS00706027800K	4	M6*P1.0*27L W/Washer
23	Hook	QS12106203000	1	
24	Asm., Tank, Fuel	QS17500S38000	1	
25	Bolt	QS10005016800K	6	M5*P0.8*16L
26	Heat Isolation Shield, Fuel Tank	QS64262B000	1	





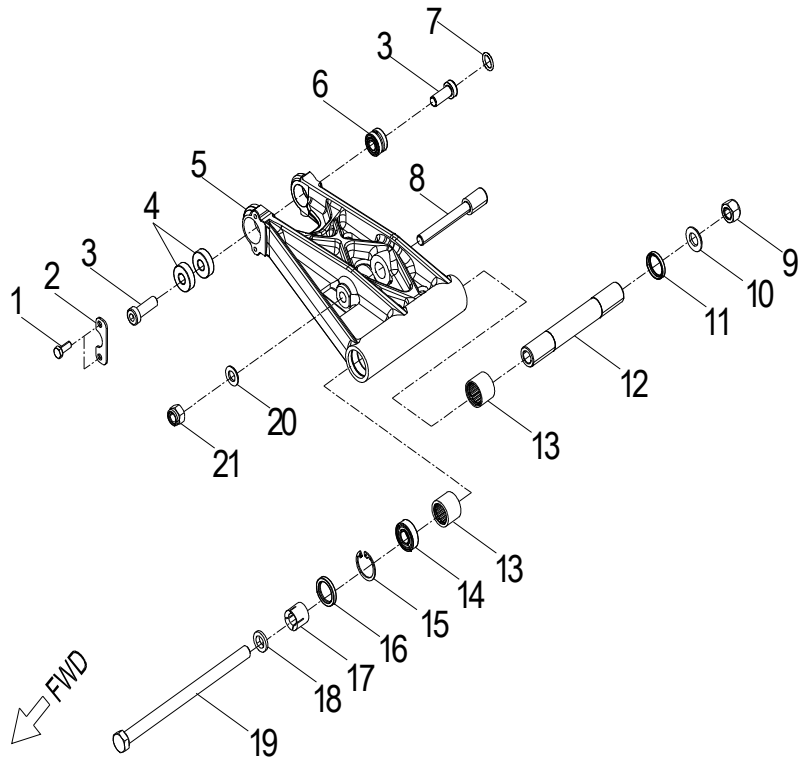
D-22:SEAT



ITEM	DESCRIPTION	P/N	Q"TY	Note
1	Seat	QS77200289001	1	
2	Hook, Seat	QS210S38000	1	
3	Hinge, Seat	QS201S38000	1	
4	Nut	QS0500600000K	4	M6*P1.0
5	Bolt	QS10005012800K	4	M5*P0.8*12L
6	Nut-U	QS12120300B	3	
7	Box Cover	QS20262K000	1	
8	Bolt	QS90205020900K	6	
9	Bolt	QS00706016800K	6	M6*P1.0*16L W/Washer
10	Rivet, Plastic	QS120153000	3	
11	Box Cover	QS202S38000	1	
12	BOX	QS20769T000	1	
13	Nut-U, M5	QS12120300C	1	M5*P0.8
14	Cover, Fuse, Box	QS27262K000	1	
15	Seat Fix Shaft	QS20362U000	1	
16	Cotter Pin	QS20312200	3	
17	Stopper	QS25962U000	1	
18	Pouch, Tool	QS120214000	1	
19	Rubber, Small Storage Box	QS269208000	1	
20	Rubber, Small Storage Box	QS269209000	2	



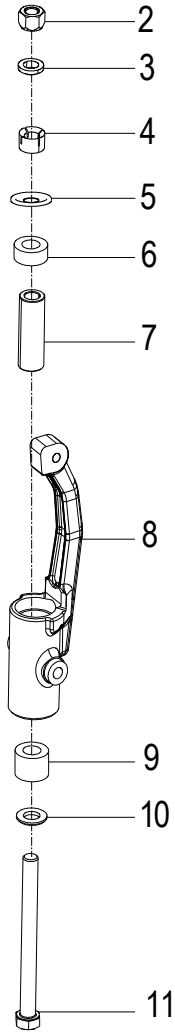
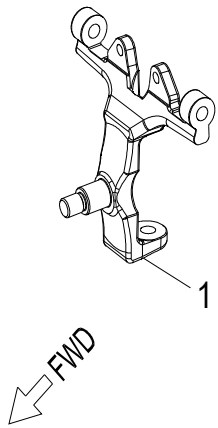
### D-24:A-ARM



ITEM	DESCRIPTION	P/N	Q"TY	Note
1	Bolt	QS00005016800K	4	M5*P0.8*16L
2	Stopper, Bearing, Front A Arm	QS093S38000	2	
3	Bolt	QS00010030800K	4	M10*P1.25*30L
4	Bearing, Ball	QS10060000LLU00	4	
5	Front A Arm	QS137001130	2	
6	Bearing	QS213RNA4900	2	
7	O-Ring	QS21001326	2	$\phi$ 13.3x2.6
8	Bolt	QS092S38000	2	
9	Nut	QS3501200000K	2	M12*P1.25
10	Washer	QS101122402500K	2	
11	Seal, Oil	QS500202604NBR	2	
12	Tube, Spacer	QS810238000	2	
13	Bearing, Needle	QS200202620	4	
14	Bearing, Ball	QS10060010LLU00	2	6001LLU
15	Clip, Cir	QS5122800R	2	
16	Seal, Oil	QS500202804NBR	2	
17	Spacer	QS094201000	2	
18	Washer	QS095201000	2	12.1*20*5mm
19	Bolt	QS00012195814K	2	M12*P1.25*195L
20	Washer	QS101102202000K	2	$\phi$ 10.1* $\phi$ 22*t2
21	Nut	QS3501000000C	2	M10*P1.25



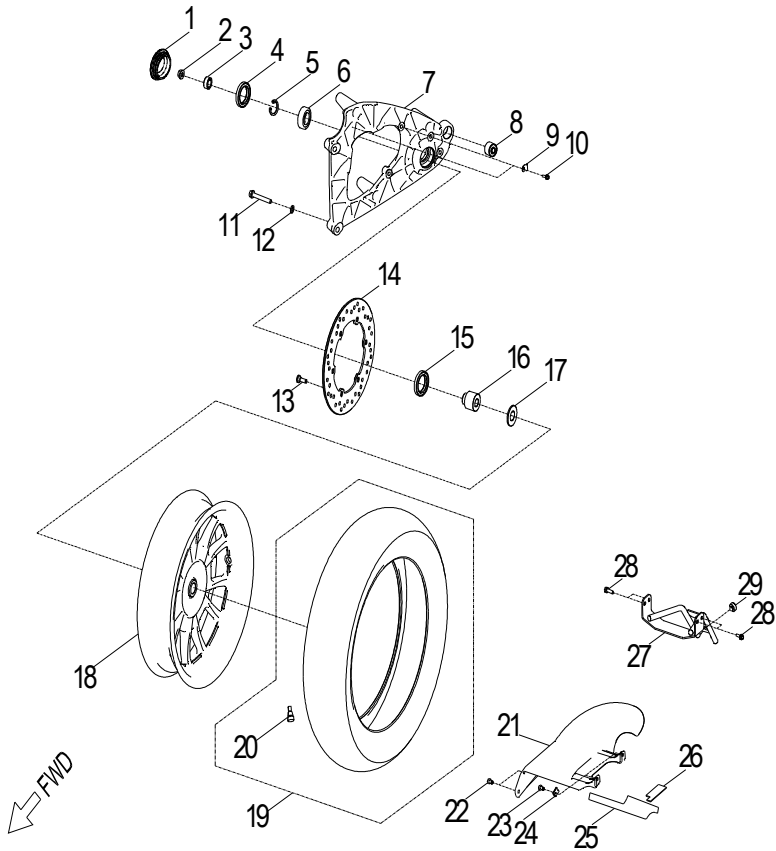
### D-25:KNUCKLE



ITEM	DESCRIPTION	P/N	Q"TY	Note
1	Turing Knuckle	QS626S38000	2	
2	Nut	QS3501200000K	2	M12*P1.25
3	Washer	QS095201000	2	12.1*20*5mm
4	Spacer	QS094202000	2	
5	Cover, Bearing	QS149S38001	2	
6	Bearing, Ball	QS10062010LLU00	2	
7	Tube, Spacer	QS810239000	2	
8	Knuckle	QS302S38000	2	
9	Bearing, Ball	QS10253201LLU00	2	
10	Washer	QS101132102000K	2	13*21*t2
11	Bolt	QS00012120814K	2	M12*P1.25*120L

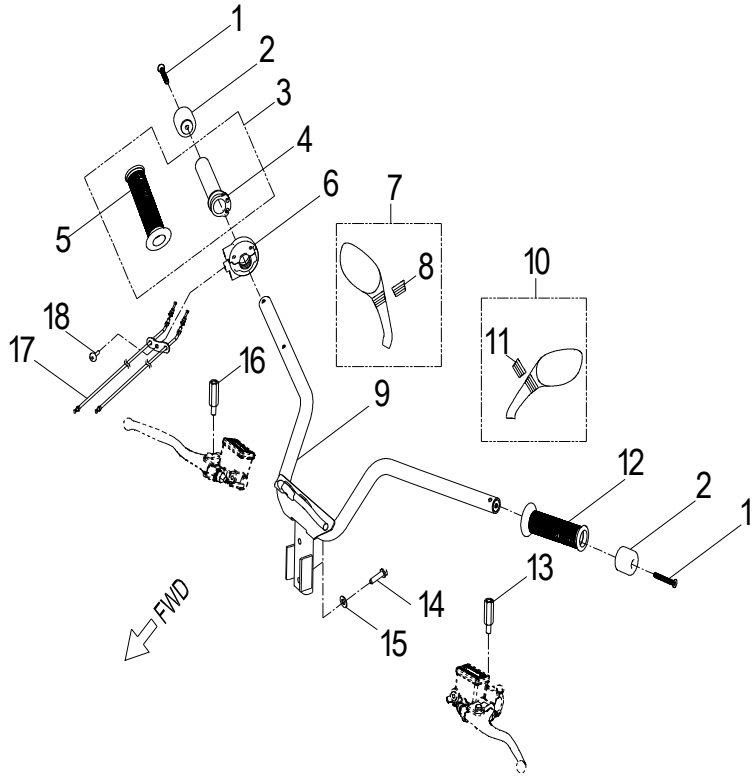


## D-27: REAR WHEEL



ITEM	DESCRIPTION	P/N	Q"TY	Note
1	Hub Cover, Dust	QS52001010	1	
2	Nut	QS3551600024K	1	M16*1.5
3	Spacer	QS32162U000	1	
4	Seal, Oil	QS500253705NBR	1	
5	Clip, Cir	QS5124700R	1	
6	Bearing, Ball	QS10063030LLUC3	1	
7	Arm, Swing	QS000S38850	1	
8	Bushing	QS400102828	1	
9	Fastener, Speedometer Sensor	QS21362U000	2	
10	Bolt	QS00006010810K	2	M6*P1.0*10L
11	Bolt	QS0001005580KL	2	M10*P1.25*55L
12	Washer	QS101102202000K	2	φ10.1*φ22*t2
13	Bolt	QS016201000	6	
14	Disc, Brake	QS51162U000	1	
15	Seal, Oil	QS500254706NBR	1	
16	Spacer, Axle	QS31162U000	1	
17	Washer	QS101175003000B	1	
18	Rear Rim(Aluminum)	QS802S31067	1	
19	Tire	QS42811S38000	1	140/70-15"
20	Valve, Rim	QS616204000	1	
21	Rear Fender	QS11562U000	1	
22	Bolt	QS10005016800K	2	M5*P0.8*16L
23	Screw	QS10005025800K	2	
24	Nut-U	QS12120300B	2	
25	Gasket	QS33716209	1	
26	Rubber, Seat	QS32036T000	1	
27	Rear Fender	QS80125S34	1	
28	Bolt	QS00006012810K	4	M6*P1.0*12L
29	Rubber, Seat	QS64320203	1	

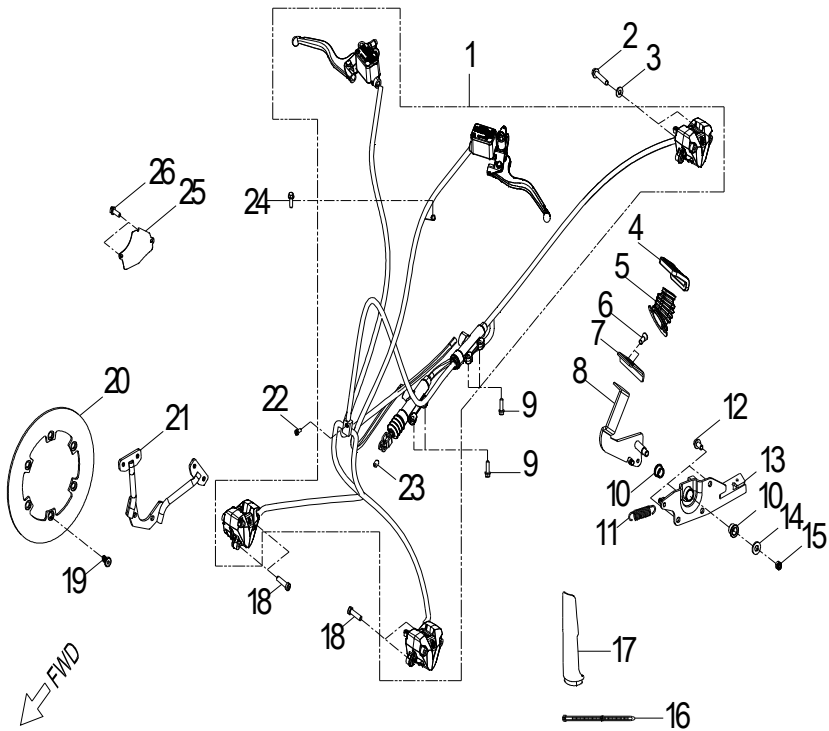
# D-28:HANDLEBAR



ITEM	DESCRIPTION	P/N	Q"TY	Note
1	Bolt	QS00006045800B	2	
2	Grip End	QS11662U850	2	
3	Asm., Grip, RH	QS160201001	1	
4	Sleeve, Grip, Throttle	QS18762U000	1	
5	Grip, Hand, RH	QS165201001	1	
6	Throttle Clamp	QS18862U000	1	
7	Mirror, Rh	QS110S38000	1	
8	Boot, Mirror, RH	QS88131S38000	1	
9	Handlebar	QS100S38000	1	
10	Mirror, Lh	QS120S38000	1	
11	Boot, Mirror, LH	QS132S38000	1	
12	Grip, Hand, LH	QS166202001	1	
13	Conversion, Bolt, Mirror, R/L	QS20408045814K	1	
14	Bolt	QS0000803080KL	2	
15	Washer	QS101081801600K	2	
16	Conversion, Bolt, Mirror, R/L	QS20308045814K	1	
17	Cable, Throttle	QS910S38000	1	
18	Bolt	QS10005012800K	1	M5*P0.8*12L



# D-29:FRONT BRAKE MASTER CYL

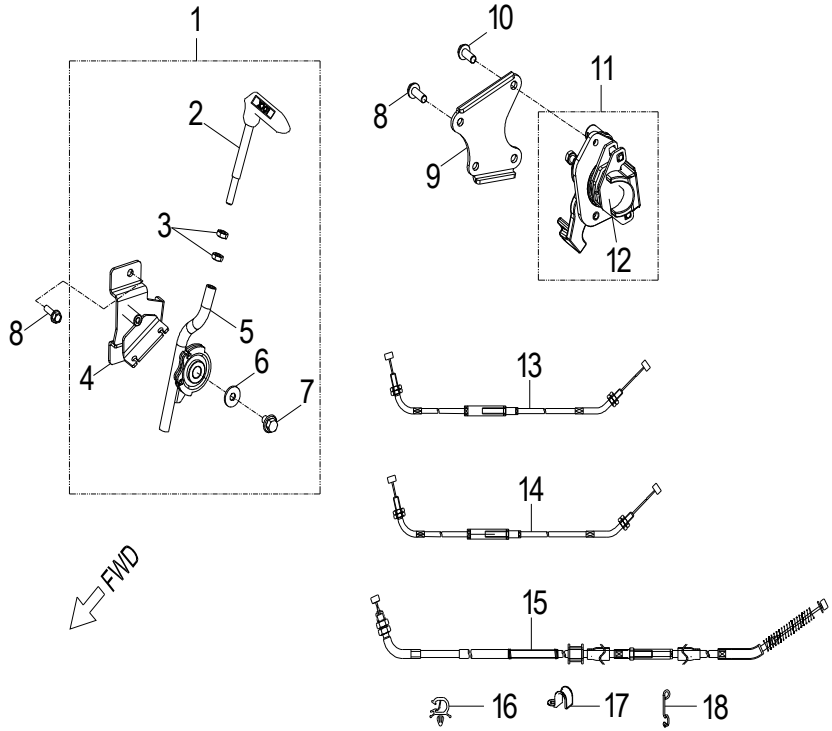


ITEM	DESCRIPTION	P/N	Q"TY	Note
1	Asm. Front and Rear Brake	QS030S38000	1	
2	Bolt	QS0000803880KL	2	
3	Washer	QS101081601000C	2	
4	Rubber Cover, Pedal, Foot Brake	QS488S38000	1	
5	Boot, Foot Brake	QS489S38000	1	
6	Bolt	QS9020601280CL	2	
7	Plate, Foot Brake	QS487S38000	1	
8	Lever, Foot Brake	QS493S38000	1	
9	Bolt	QS00006022800K	4	M6*P1.0*22L
10	Bushing	QS912201000	2	
11	Spring, Switch	QS422210000	1	
12	Bolt	QS0000801480KL	3	M8*P1.25*14L
13	Bracket, Foot Brake	QS494S38000	1	
14	Washer	QS101102202000C	1	φ10.1*φ22*t2
15	Nut	QS3501000000C	1	M10*P1.25
16	Strap	QS769206000	2	
17	Protection Cover , HTS	QS097S38000	2	
18	Bolt, Caliper, Brake	QS43209S38001	4	
19	Bolt	QS016S38000	12	
20	Disc, Front Brake	QS010S38000	2	
21	Bracket, Fender, Front wheel	QS854S38000	2	
22	Bolt	QS00006010800K	1	
23	Fastener, Pumper, Brake	QS45476S38000	1	
24	Bolt	QS00706016800K	1	M6*P1.0*16L W/Washer
25	Shield, Brake Hose	QS47262U000	1	
26	Bolt	QS00006012810K	2	M6*P1.0*12L





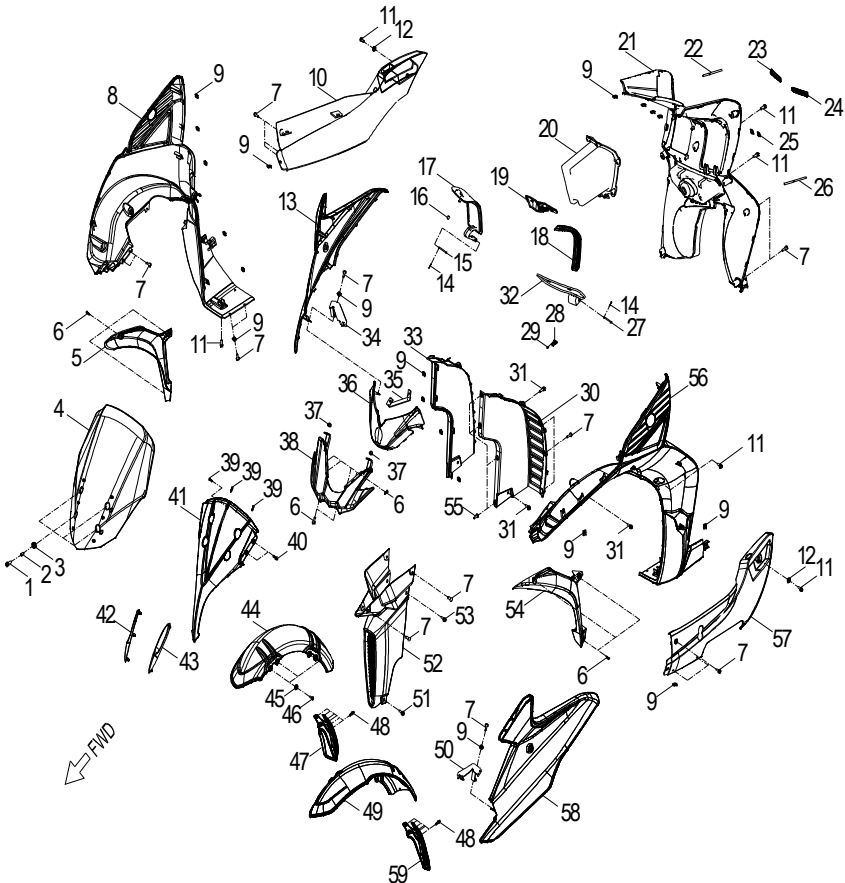
# D-30: PARK BRAKE LOCK



ITEM	DESCRIPTION	P/N	Q"TY	Note
1	Asm. Parking Brake Lever	QS930S38001	1	
2	Grip, Parking Brake	QS934S38001	1	
3	Nut	QS0500800000K	2	
4	Bracket, Parking Brake	QS932S38000	1	
5	Lever, Parking Brake	QS931S38000	1	
6	Washer	QS101061802000C	1	
7	Bolt	QS00006012810C	1	
8	Bolt	QS0000801680KL	4	M8*P1.25*16L
9	Bracket, Caliper, Parking Brake	QS208S38000	1	
10	Bolt	QS0000801280KL	2	M8*P1.25*12L
11	Asm., Caliper, Parking Brake	QS43200S38002	1	
12	Pads, Parking Brake	QS201202002	1	
13	Cable, Pump, Parking Brake(BLACK)	QS933S38000	1	
14	Cable, Pump, Parking Brake(BLUE)	QS933201000	1	
15	Cable, Parking Brake	QS706S38001	1	
16	Strap, Oil Hose	QS753201000	1	
17	Hook, Hose	QS351119000	1	
18	Cable Fastner	QS33862E000	1	



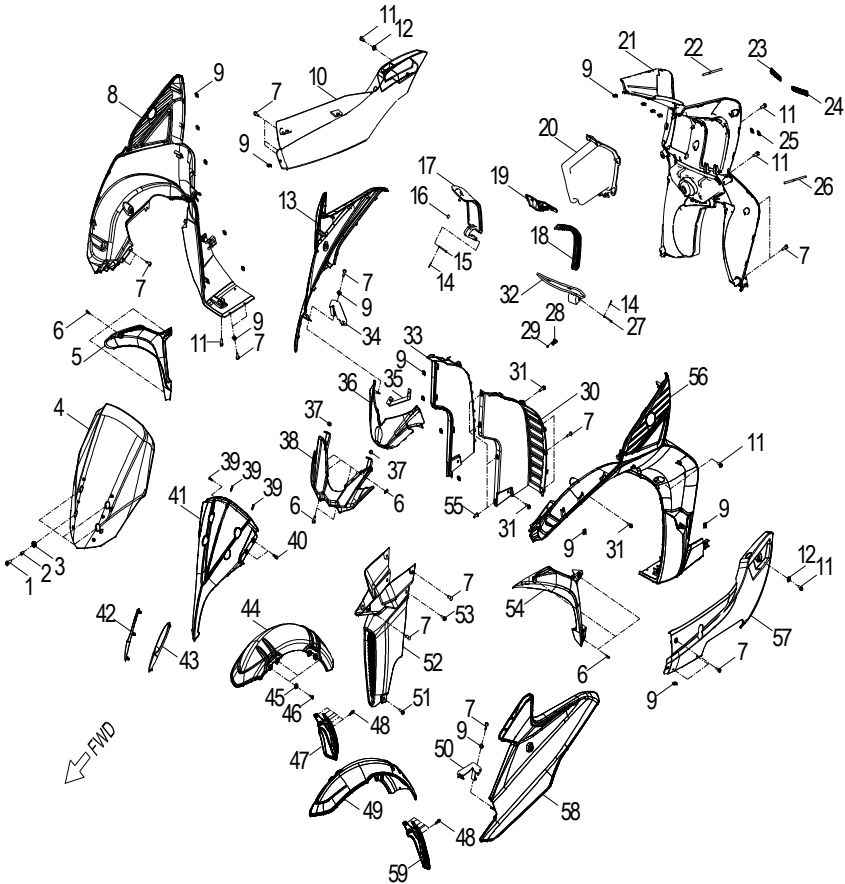
# D-31:WINDSHIELD



ITEM	DESCRIPTION	P/N	Q"TY	Note
1	Bolt	QS00706022800K	4	M6*P1.0*22L W/Washer
2	Tube, Spacer	QS810215000	4	
3	Grommet	QS129204000	4	
4	Screen	QS311S38112	1	
5	Front Shield Lateral (RH)	RAW BLACK QS152S38131	1	
		SNOW WHITE QS152S38243		
		TITANIUM GRAY QS152S38850		
6	Screw	QS903105014800K	26	
7	Bolt	QS00905016800K	30	M5*P0.8*16L W/Washer
8	Front Shield Upper Element(RH)	QS80127201	1	
9	Nut-U	QS12120300B	48	
10	Panel, Bottom, RH	RAW BLACK QS501S31131	1	
		SNOW WHITE QS501S31243		
		TITANIUM GRAY QS501S31850		
11	Bolt	QS00706016800K	9	M6*P1.0*16L W/Washer
12	Washer	QS150071705000K	2	φ7.1*φ17*t5
13	Front Cover, RH	RAW BLACK QS002S38131	1	
		SNOW WHITE QS002S38243		
		TITANIUM GRAY QS002S38850		
14	Cotter Pin	QS20116190	2	
15	Shaft, Filler Cover	QS30206059	1	
16	Plug, Rubbe, Hood	QS424S38000	1	
17	Cover, Glove Box	QS134S38000	1	
18	Rubber , Parking Brake Lever	QS708S38001	1	
19	Cover, Main Switch	QS109S38862	1	
20	Glove Box	QS271S38001	1	
21	Inner Box	QS131S38000	1	
22	Rubber Seal, Glove Box	QS43205000515	1	
23	Cover, Heating(R)	QS147S38000	1	
24	Cover, Heating(L)	QS146S38000	1	
25	U-Nut	QS3450400002T	2	M4*P0.6
26	Rubber Seal, Glove Box	QS43205006750	1	
27	Shaft, Filler Cover	QS30206045	1	
28	Fastener, Small Storage Box	QS104S38000	2	
29	Screw	QS907103008800K	4	
30	Radiator Cover, LH	QS118S38000	1	
31	Bolt	QS00006016810K	6	M6*P1.0*16L
32	Cover, Small Storage Box	QS227S38862	1	
33	Radiator Cover, RH	QS119S38000	1	
34	Bracket, Front Cover, RH	QS294S38000	1	



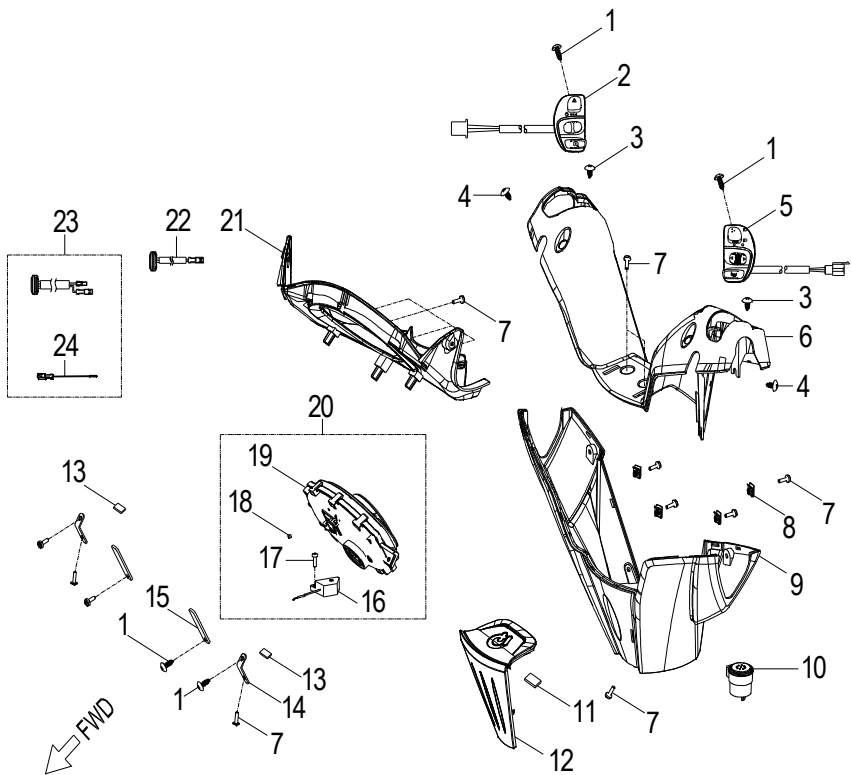
# D-31: WINDSHIELD



ITEM	DESCRIPTION	P/N	Q"TY	Note
35	Brakect, Front Cover, Middle	QS292S38000	1	
36	Shield Element, Front Upper	RAW BLACK	QS291S38131	1
		SNOW WHITE	QS291S38243	
		TITANIUM GRAY	QS291S38850	
37	Nut	QS0500500000C	2	M5*P0.8
38	Shield Element, Front Lower	QS153S38000	1	
39	Screw	QS903305010800K	3	
40	Rivet, Plastic	QS120153000	4	
41	Cover, Headlight	QS321S38000	1	
42	Veneer, RH	QS50350N070	1	
43	Veneer, LH	QS60350N070	1	
44	Fender, Front, RH	QS853S38001	1	
45	Washer	QS150071707500K	8	φ6.5*φ17.5*t7.5
46	Bolt	QS910030601680	8	
47	Rubber Mudguard, Fender	QS61115206001	1	
48	Rivet, Plastic	QS120204000	12	
49	Fender, Front, LH	QS852S38001	1	
50	Bracket, Front Cover, LH	QS293S38000	1	
51	Bolt	QS00905016800K	2	M5*P0.8*16L W/Washer
52	Cover, HTS	QS860S38000	1	
53	Bolt	QS00706012800K	2	M6*P1.0*12L
54	Front Shield Lateral (LH)	RAW BLACK	QS151S38131	1
		SNOW WHITE	QS151S38243	
		TITANIUM GRAY	QS151S38850	
55	Bolt	QS10005016800K	6	M5*P0.8*16L
56	Front Shield Upper Element(LH)	QS80126201	1	
57	Panel, Bottom, LH	RAW BLACK	QS601S31131	1
		SNOW WHITE	QS601S31243	
		TITANIUM GRAY	QS601S31850	
58	Front Cover, LH	RAW BLACK	QS001S38131	1
		SNOW WHITE	QS001S38243	
		TITANIUM GRAY	QS001S38850	
59	Rubber Mudguard, Fender	QS61115205001	1	

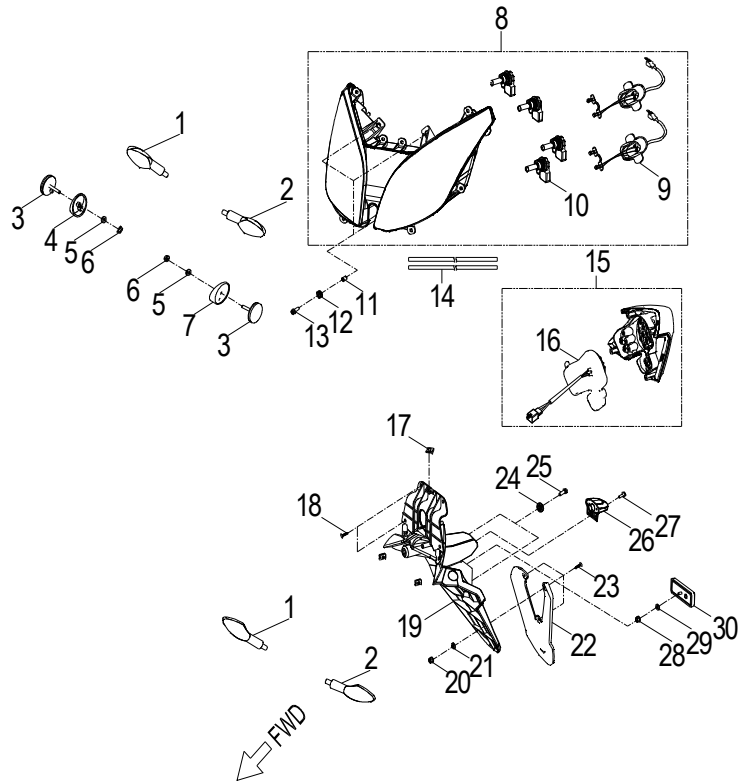


## D-32:ASM SPEEDOMETER



ITEM	DESCRIPTION	P/N	Q"TY	Note
1	Screw	QS903105012800K	11	M5*12L
2	Switch, Handle, RH	QS870S3500000	1	
3	Screw	QS903104016800K	2	
4	Screw	QS903105014800K	2	
5	Switch, Handle, LH	QS86062U000	1	
6	Pod, Upper, Handlebar	QS211S38000	1	
7	Bolt	QS00905012800K	13	M5*P0.8*12L W/Washer
8	Nut-U	QS12120300B	4	
9	Cover, Handlebar, Lower	QS212S38000	1	
10	Relay, Signal	QS302209000	1	
11	Foam, battery	QS113153000	1	
12	Pod, Handlebar	QS222S38862	1	
13	Rubber, Seat	QS320204000	2	
14	Bracket, Speedometer	QS208204000	2	
15	Bracket, Speedometer	QS208205000	2	
16	Sensor, Speedometer	QS206204000	1	
17	Bolt	QS50004012800C	2	M4*P0.6*12L
18	Magnet, Speedometer	QS203208000	2	
19	Speedometer	QS205239001	1	
20	Asm., Speedometer	QS200239001	1	
21	Speedometer Cover	QS191204000	1	
22	Coolant Meter	QS931201001	1	
23	Thermometer	QS932201001	1	
24	Sensor, Temperature	QS32124S38000	1	

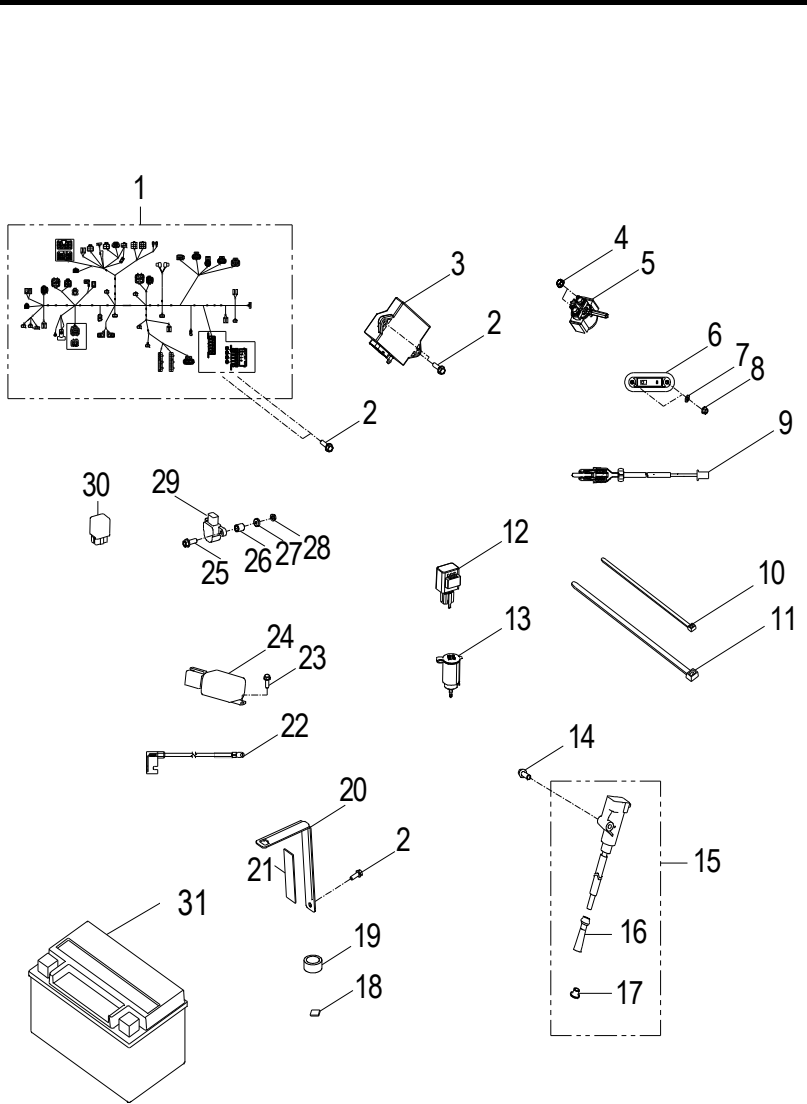
# D-33:LIGHTS



ITEM	DESCRIPTION	P/N	Q"TY	Note
1	Asm., Signal, Front/Rear RH	QS400219000	2	
2	Asm., Signal, Front/Rear, LH	QS450219000	2	
3	Reflector	QS33741209	2	
4	Base, reflector RH	QS3342101000	1	
5	Washer	QS94101061901000C	2	φ6.1*φ19*t1
6	Nut	QS3500600000K	2	M6*P1.0
7	Base, reflector LH	QS33422010	1	
8	Asm., Headlight	QS100237000	1	
9	Led Light Comp	QS202202001	2	
10	Bulb, Headlight	QS901222000	4	
11	Tube, Spacer	QS810215000	3	
12	Grommet	QS129204000	3	
13	Bolt	QS00706020800K	3	
14	Foam	QS19626S380	2	
15	Asm., Taillight	QS70062U001	1	
16	Led Light Comp	QS202203002	1	
17	Nut-U	QS12120300B	3	
18	Screw	QS903105012800K	4	M5*12L
19	License Plate	QS70862U001	1	
20	Nut	QS3500500000K	3	M5*P0.8
21	Washer	QS101051401000K	3	φ5.1*φ14*t1
22	Guard, Mud	QS11362U000	1	
23	Bolt	QS10005016800K	3	M5*P0.8*16L
24	Washer	QS150071705000K	2	φ7.1*φ17*t5
25	Bolt	QS00706016800K	2	M6*P1.0*16L W/Washer
26	Asm., License Light	QS750202000	1	
27	Bolt	QS10005016800K	1	M5*P0.8*16L
28	Nut	QS0500500000C	1	M5*P0.8
29	Washer	QS101051401000K	1	φ5.1*φ14*t1
30	Reflector	QS741201000	1	

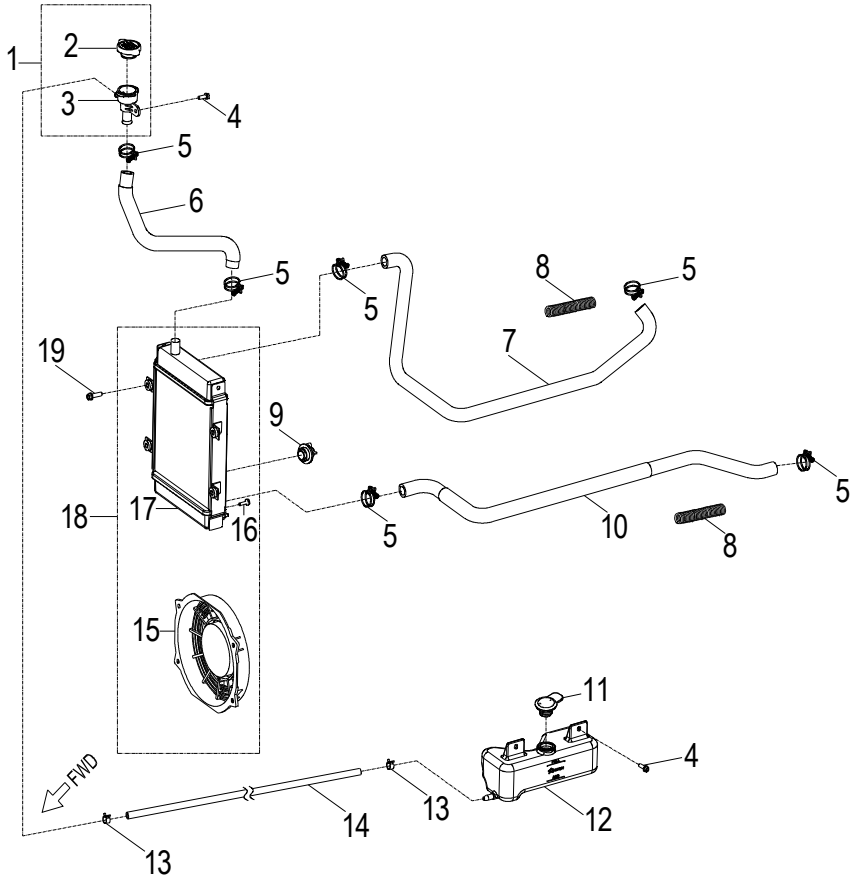


### D-35:ELECTRICAL PARTS



ITEM	DESCRIPTION	P/N	Q"TY	Note
1	Harness, Main Wire	QS100313001	1	
2	Bolt	QS00006016810K	5	M6*P1.0*16L
3	Electroni Control Unit, ECU	QS44069E001	1	
4	Nut	QS0500600000K	2	M6*P1.0
5	Starter Relay	QS501207000	1	
6	Lamp, Storage Box	QS261201000	1	
7	Washer	QS101041201000K	2	φ4*φ12*t1
8	Nut	QS3500400000K	2	M4*P0.6
9	Switch, Lamp, Storage Box	QS26262U000	1	
10	Strap	QS569131000	50	
11	Strap	QS769111000	1	
12	Relay, Parking	QS701201000	1	
13	Power Supplier	QS130S38000	1	
14	Bolt	QS00006035800K	1	
15	Asm., Ignition Coil	QS51151T001	1	
16	Cap, Spark Plug	QS60051T000	1	
17	Insulator Coil	QS60551T000	1	
18	Foam, battery	QS113203000	1	
19	Rubber Tube	QS813201000	1	
20	Bracket, Battery	QS31502S380	1	
21	Foam, battery	QS113208000	1	
22	Asm., Battery Cable	QS001210000	1	
23	Bolt	QS00006010810K	1	M6*P1.0*10L
24	Relay, EFI	QS3850262U0	1	
25	Bolt	QS00005020800C	2	
26	Spacer	QS311206000	2	
27	Foam	QS502210000	2	
28	Nut	QS0500500000C	2	M5*P0.8
29	Switch, Topple Over	QS16262U000	1	
30	Relay, Thermo Switch	QS42951T000	1	
31	Battery	QS50039A001	1	

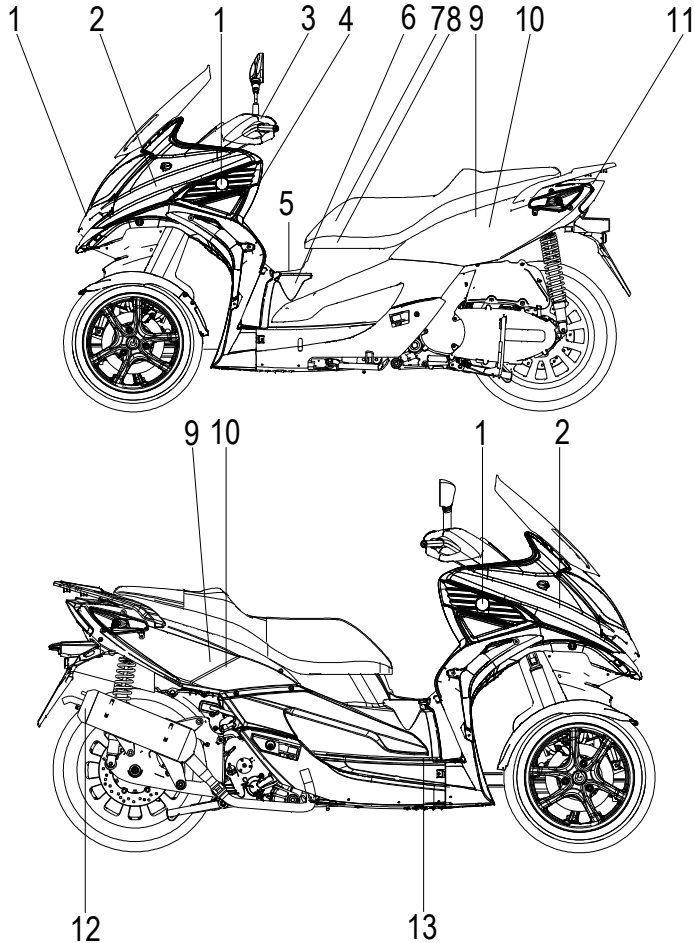
# D-36:RADIATOR



ITEM	DESCRIPTION	P/N	Q"TY	Note
1	Asm., Water Cap	QS1911362U0	1	
2	Cap, Water	QS11150A000	1	
3	Tube, Water Cap	QS11462U000	1	
4	Bolt	QS00506016800K	3	M6*P1.0*16L W/Washer
5	Clamp	QS22250A000	6	
6	Hose, Water Cap, Radiator	QS19504S380	1	
7	Hose, Outlet, Radiator	QS50150T000	1	
8	Spring, Coolant Hose	QS50762U000	2	
9	Asm., Switch, Thermosatic	QS32051T000	1	
10	Hose, Inlet, Radiator	QS50362U000	1	
11	Cap, Expansion Tank	QS105111000	1	
12	Tank, Expansion	QS10162U000	1	
13	Clamp	QS51512008	2	12*8
14	Hose, Inlet, Expansion Tank	QS1950662U0	1	
15	Asm., Fan	QS00562E001	1	
16	Screw	QS00306016800K	3	M6*P1.0*16L W/Washer
17	Radiator	QS01151T000	1	
18	Asm., Radiator	QS01051T001	1	
19	Bolt	QS00706022800K	4	M6*P1.0*22L W/Washer

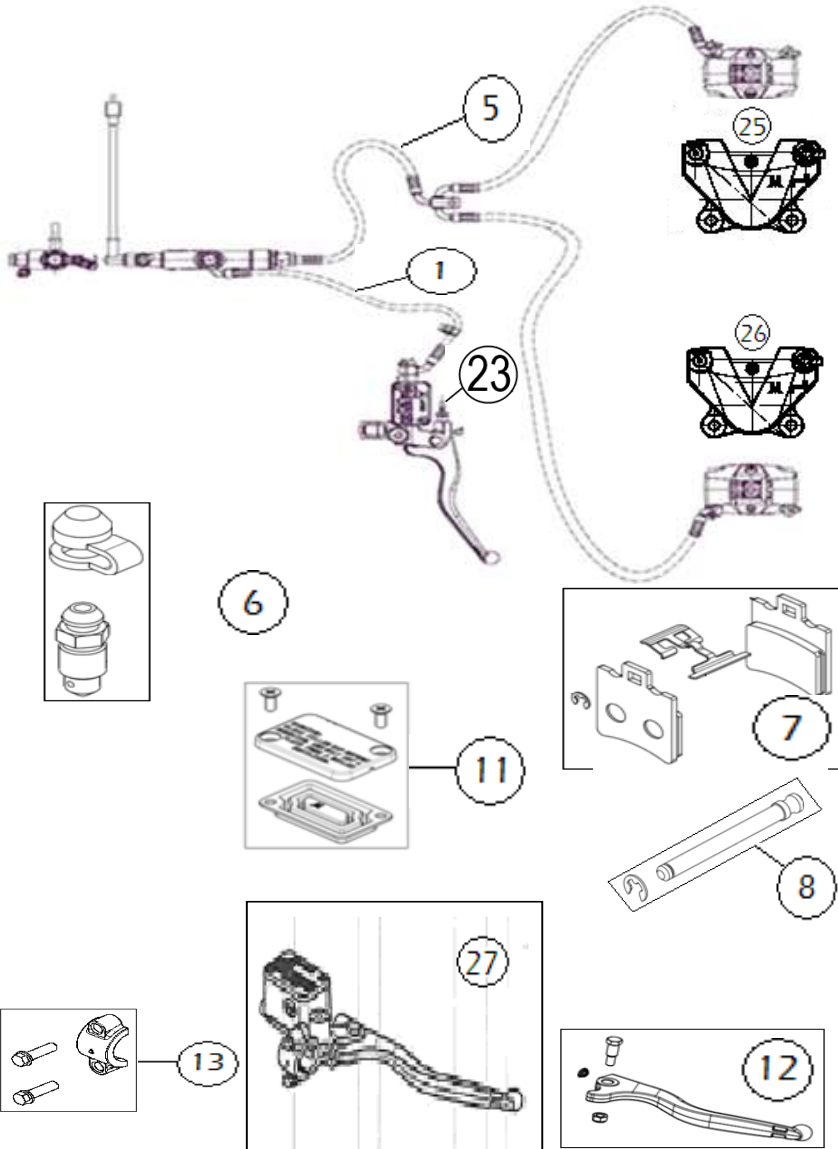


# D-37:DECALS



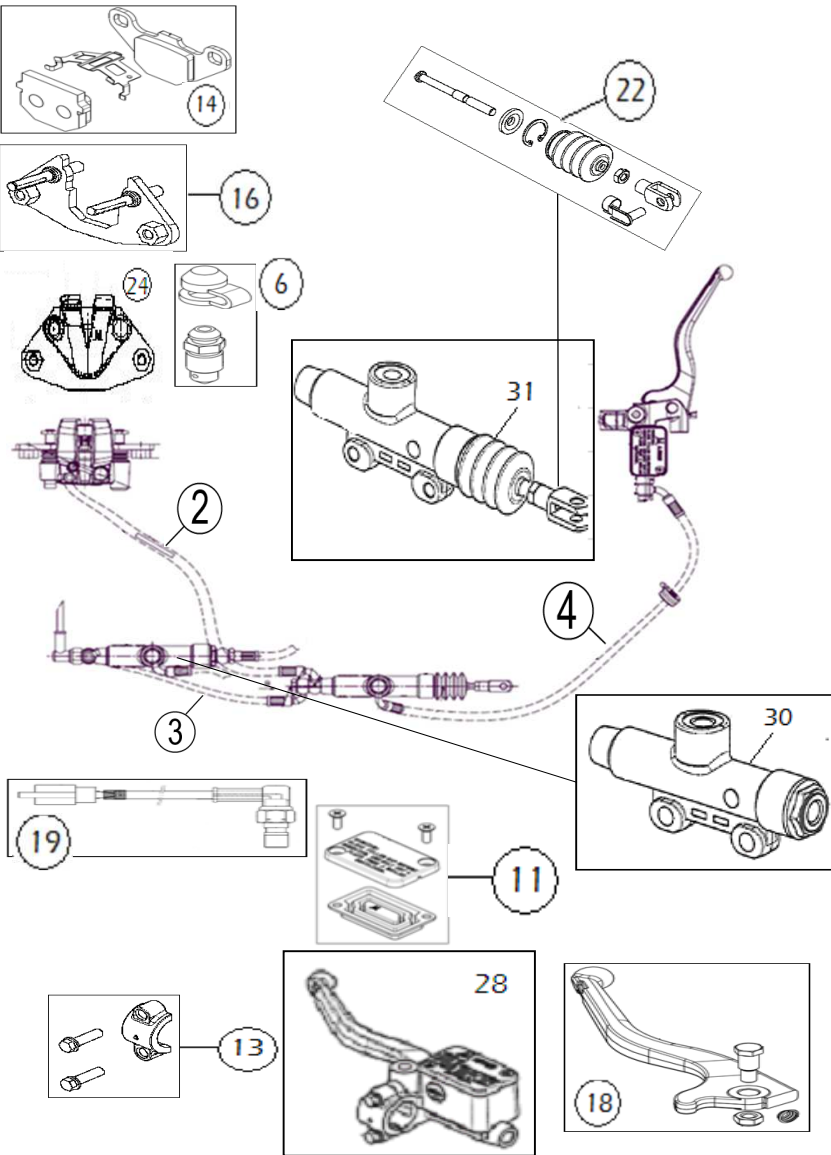
ITEM	DESCRIPTION	P/N	Q"TY	Note
1	Logo "Q" (35 mm)	QS00000001	3	
2	Decal,HTS	RAW BLACK & TITANIUM GRAY	2	(Sticker color: RED) (Sticker color: RED+CHROME)
		SNOW WHITE		
		QS00000000		
3	Decal-Safty	QS87849203	1	
4	Decal, Warning, General	QS852208000	1	
5	Logo "Q" ( Fuel Cap )	QS00000002	1	
6	Decal,Unleaded Fuel Only	QS00000012	1	
7	Decal, Tire Pressure	QS864208000	1	
8	Decal, Max Load	QS87032011	1	
9	Decal, QUADRO	QS00000005	2	
10	Decal,3	QUSTKF-001	2	
11	Decal, Warning, Rack	QS869202001	1	
12	Decal, Hot, Warning	QS87734204	1	
13	Decal, Antirust, VIN	QS17201000	1	

### D-38: FRONT BRAKE SYSTEM



ITEM	DESCRIPTION	Itemcode	Q"TY	Note
1	Hydraulic Brake Hose	QSQDBMDCHVAL	1	
5	Hydraulic Brake Hose	QSQDVALPINDEL	1	
6	Kit bleeder R/H and L/H	QC20908860000	2	
7	Kit pads R/H and L/H	QCA0648860000	2	
8	Kit pin hanger R/H and L/H	QCA0562560000	2	
11	Reservoir kit	QCA0602760000	1	
12	Lever kit R/H	QCA0032760000	1	
13	Handle holder kit	QCA0032660000	1	
23	Front switch	QS10587000000	1	
25	Brake Caliper-Front Assy (LH)	QS1912670000	1	
26	Brake Caliper-Front Assy (RH)	QS1912670010	1	
27	Master cylinder R/H	QC0912670090	1	

# D-39: REAR BRAKE SYSTEM



ITEM	DESCRIPTION	Itemcode	Q"TY	Note
2	Hydraulic Brake Hose	QSQDPINTRBMPIE	1	
3	Hydraulic Brake Hose	QSQDVALBMPIE	1	
4	Hydraulic Brake Hose	QSQDBMIZQBMPPIE	1	
6	Kit bleeder R/H and L/H	QC20908860000	2	
11	Reservoir kit	QCA0602760000	1	
13	Handle holder kit	QCA0032660000	1	
14	Kit pads	QCA0648860010	1	
16	Kit bracket	QC20720610060	1	
18	Lever kit L/H	QCA0602760010	1	
19	Rear switch	QS247/0,0	1	
22	Kit push rod	QCA0240360000	1	
24	Brake Caliper-Rear Assy	QS0912670100	1	
28	Master cylinder L/H	QC0912670110	1	
30	Brake control valve	QS2912670000	1	
31	Master cylinder rear	QS0912670010	1	